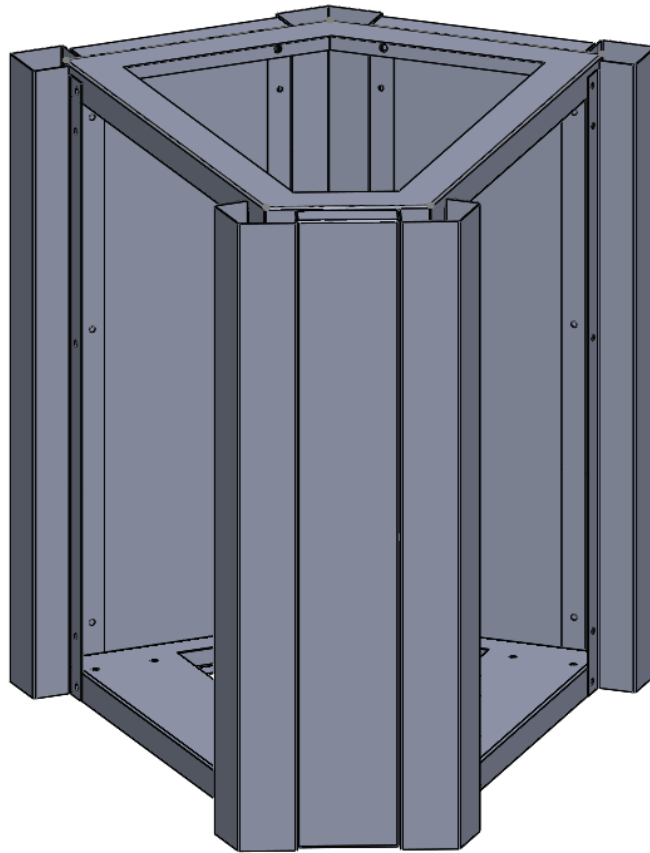




Sierra[®]

OUTDOOR DESIGNS

45 DEGREE CORNER CABINET



For questions, problems or missing parts, please contact
Cardinal Systems, Inc. Customer Service
8:00 a.m. - 5:00 p.m., EST Monday-Friday

570-385-4733

customerservice@cardinalsystemsinc.com

ASSEMBLY INSTRUCTIONS

Table of Contents

Safety Information	3
Warranty	4
Pre-Assembly	5
Planning the Assembly	
Hardware Included	
Parts	
Assembly	8
Appendix A	18

Skill Level

Intermediate

NOTE: It is recommended that 2 people assemble the cabinet

Safety Information



WARNING: Do NOT store any type of chemicals in cabinet.



DANGER: Please keep children out of the assembly area.



WARNING: Heavy objects. Lift with care and/or with a second person.



WARNING: Some panels have sharp edges. Please wear appropriate gloves when handling.

Warranty Information

Cardinal Systems, Inc. warrants to the original consumer purchaser that its Sierra Outdoor Designs cabinets are free from manufacturing defects and workmanship for the useful lifetime of the product.

This warranty is not transferable and is for residential applications only. This warranty applies only to cabinets purchased through an authorized Cardinal Systems, Inc. dealer. This warranty is in lieu of all other implied or expressed warranties.

Cardinal Systems, Inc. uses high quality material in our products, however, they are not impervious to rust and are not covered by this warranty, but can be minimized or eliminated with proper care and cleaning. Surface corrosion and discoloration are a natural reaction of stainless steel to environmental factors. Grills, refrigerators, other appliances and faux stone panels carry individual warranty programs through the original equipment manufacturer.

Cardinal Systems, Inc. reserves the right to make changes in design, construction materials and prices as required and as improvements are developed, without obligation to incorporate such changes in cabinetry or related products previously manufactured by Cardinal Systems, Inc. In no event shall Cardinal Systems, Inc. be liable for incidental or consequential damage.

All claims for defective cabinets or components must be submitted to Cardinal Systems, Inc. in writing to warranty@cardinalsystemsinc.com. Defects alleged to be present must be specified. At the discretion of Cardinal Systems, Inc., we will either repair or replace any defective cabinets or components. An authorized representative of Cardinal Systems, Inc. must review complaints about defective surface finishes. This warranty does not cover scratches or dents to stainless steel surfaces during installation or normal use as it is not defective material or workmanship.

Cardinal Systems, Inc. will not be responsible for any expense involved in removing or reinstalling cabinetry with a defective finish. Cardinal Systems, Inc. reserves the option of either approving field repair or returning the cabinetry or component to the factory for correction. If a field repair is possible, an accurate estimate of the cost must be obtained. No action can be taken without authorization from Cardinal Systems, Inc.

Some states do not allow the exclusion or limitation of incidental or consequential damages, so the above limitations and exclusion may not apply to some purchasers. This warranty gives you specific legal rights. You may have other rights, which vary from state to state.

Pre-Assembly

Planning Assembly

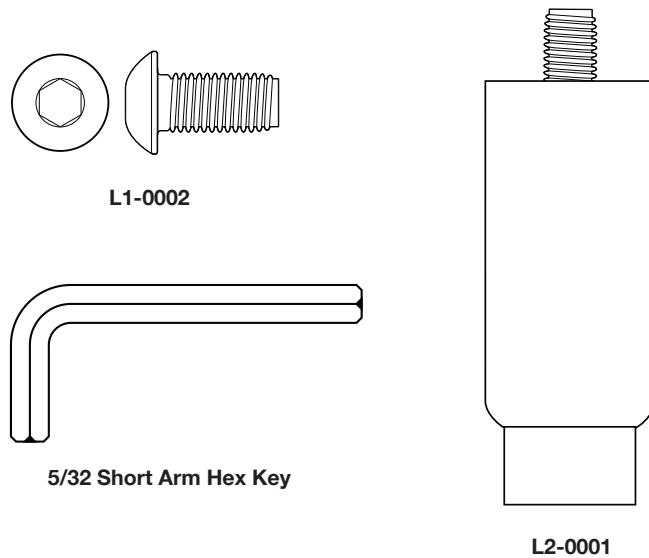
It is recommended that 2 people assemble cabinet.

It is recommended to peel off protective coating in the area where the pieces meet, and leave protective coating on the rest of the areas until you are finished.

Hardware Included

Part #	Description	Quantity
L1-0002	1/4-20 x 1/2 ButtonSoc Cap Screw	38
L1-0014	5/32 Short Arm Hex key	1
L2-0001	Equip Leg 4" Protruding Stud Hex Toe	4

NOTE: Hardware not shown to actual size.



Pre-Assembly - continued

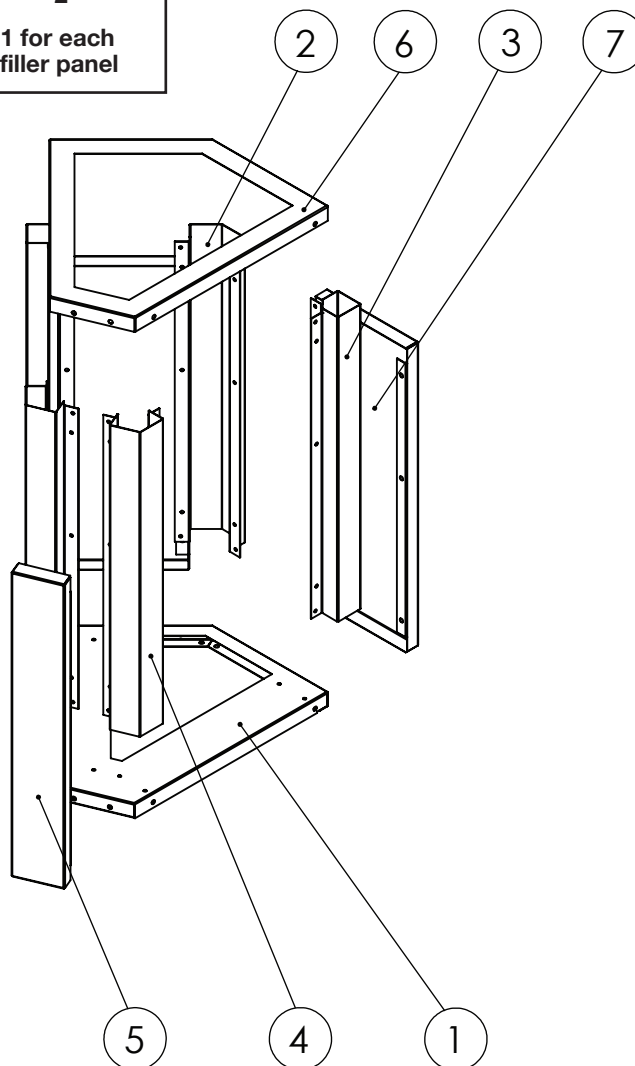
Parts Included for 45 degree Corner Cabinet

NOTE: Parts not shown to actual size. Please check to make sure all parts are accounted for before assembling. Each part is labeled with the part number. It is recommended NOT to remove part number until after it is assembled.

Number	Part #	Description	Quantity
1	BM0045ASSY	Bottom Assembly	1
2	CP0045	45 degree Corner Post	1
3	CP3626V3	Back Corner Post	2
4	CPF0045	Front Corner Post	2
5	FPCR0045	Front Panel	1
6	TPCR0045	Top Panel	1
7	BP3026	Back Panel	2
	CC125375	Bracket	1 for each filler panel

Alternative Parts for 45 degree Corner Cabinet

Number	Part #	Description
7A	BPF3026	Filler Panel
7B	BPNLCC90BSASSY	Brown Stone Back Panel
7C	BPNLCC90GSASSY	Gray Stone Back Panel



Assembly

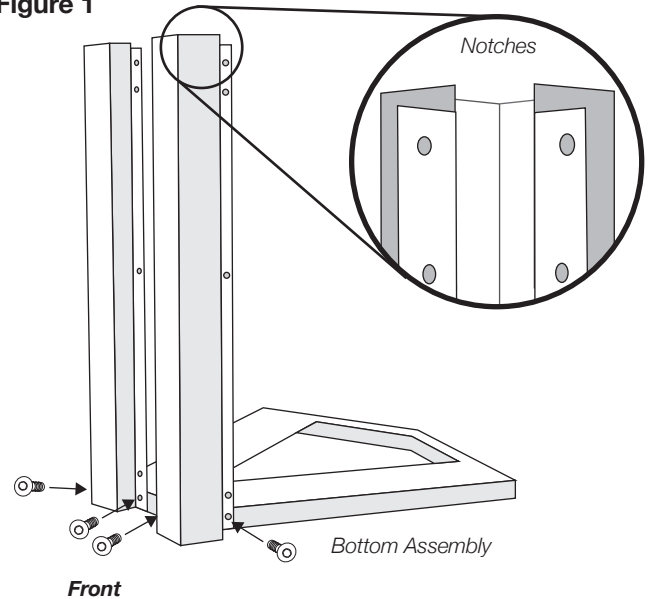
- 1** Attach the front corner posts to the bottom assembly.

Parts needed for 45 degree Corner Cabinet

1	Bottom Assembly	BMCR3030ASSY
2	Front Corner post	CPF0045
4	ButtonSoc Cap screws	L1-0002
	Short Arm Hex Key	

Lay the bottom assembly on a flat surface. Attach the 2 front corner posts, positioning the notched part of each post up using 2 ButtonSoc Cap screws for each with the Short Arm Hex key. (see fig. 1) Do not tighten all the way.

Figure 1



- 2** Attach the 45 degree corner post and back corner posts to the bottom assembly.

Parts needed for 45 degree Corner Cabinet

1	45 degree Corner Post	CP0045
2	Back Corner Post	CP3626V3
6	ButtonSoc Cap screws	L1-0002
	Short Arm Hex Key	

Attach the 45 degree corner post to the back of the bottom assembly. Again, making sure the notches are at the top. Use a Short Arm Hex key and 2 ButtonSoc Cap screws to attach. (see fig. 2) Do not tighten all the way.

Attach the back corner posts to the bottom using 2 screws on each post. (see fig. 3)

Figure 2

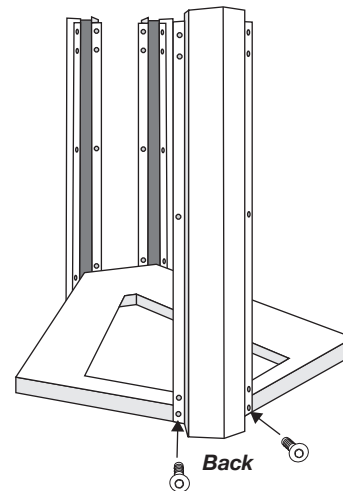
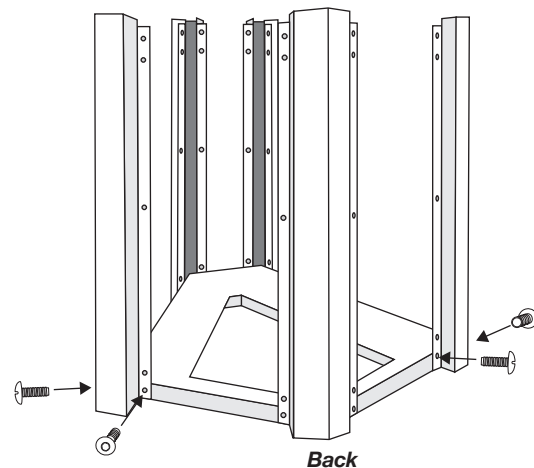


Figure 3



Assembly - continued

3 Attach the top panel, square all posts, and tighten screws.

Parts needed for 45 degree Corner Cabinet

- 1 Top panel TPCR0045
- 10 ButtonSoc Cap screws L1-0002
- Metal Square
- Short Arm Hex Key

Attach the top panel to the posts by setting it inside of the posts. (see fig. 4) Use 2 ButtonSoc Cap screws on each post for a total of 10 screws.

Take a metal square and square up all the posts. As you square up the posts, tighten all the screws. (see fig. 5)

Figure 4

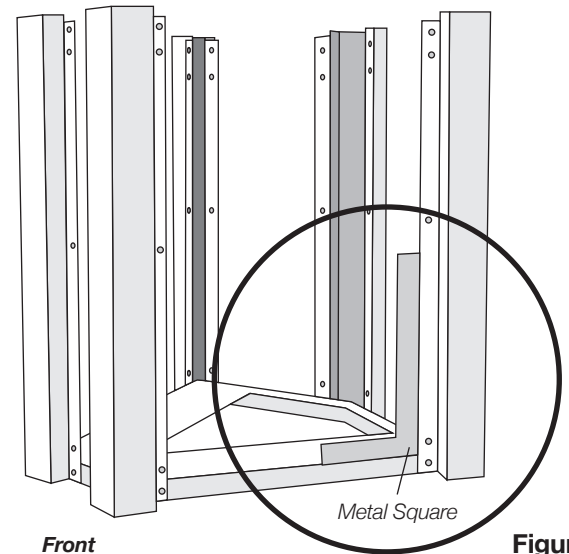
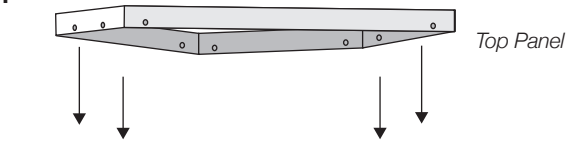


Figure 5

4 Attach the adjustable legs to the bottom.

Parts needed for 45 degree Corner Cabinet

- 4 Adjustable legs L2-0001

Lean cabinet on its side, if necessary, being careful not to scratch the surface. Screw in 1 of the 4 legs (L2-0001) to the bottom panel into the hole by turning it clockwise. (see fig. 6)

Repeat for the other 3. Adjust the bottom part of the leg by turning counter clockwise until the unit is level. (see fig. 7)

NOTE: It is advised to start at the highest point of where the legs touch the surface for leveling.

Figure 6

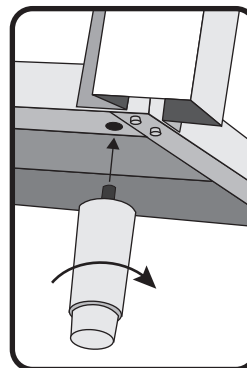
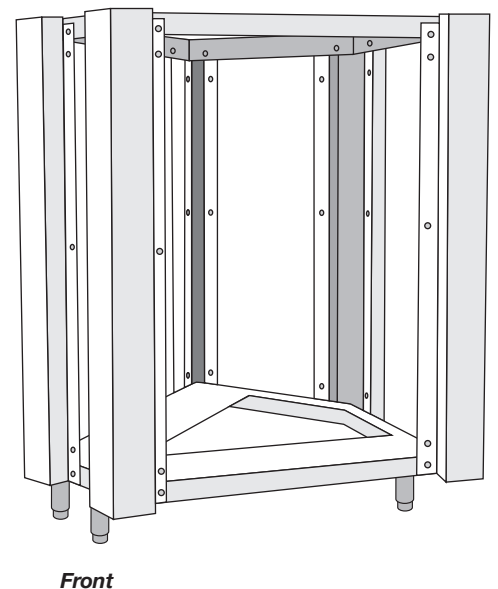
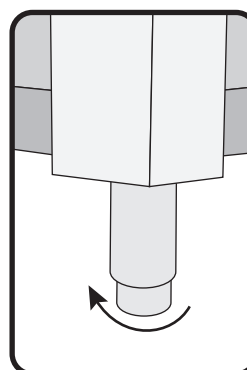


Figure 7



Assembly - continued

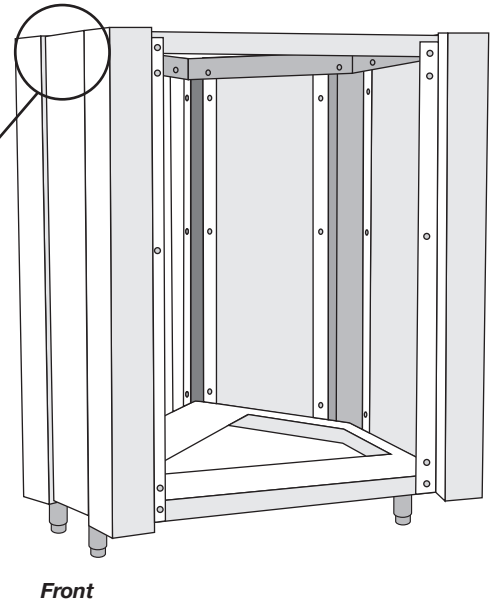
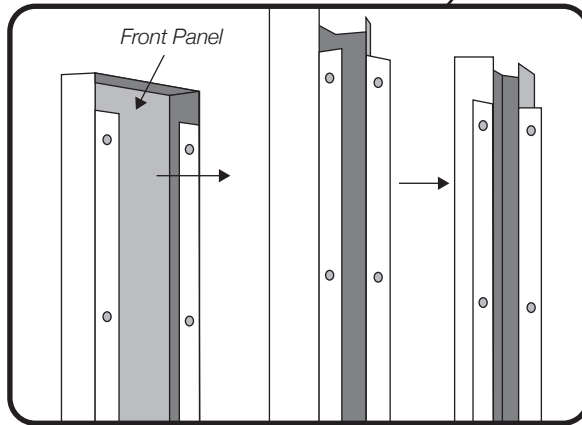
Figure 8

5 Attach the front panel.

Parts needed for 45 degree Corner Cabinet

- | | | |
|---|----------------------|----------|
| 1 | Front Panel | FPCR0045 |
| 6 | ButtonSoc Cap screws | L1-0002 |
| | Short Arm Hex Key | |

Attach the front panel to the two front corner posts with 6 ButtonSoc Cap screws. The panel goes in between the two posts. (see fig. 8)



6 Attach the back panels.

Parts needed for 45 degree Corner Cabinet

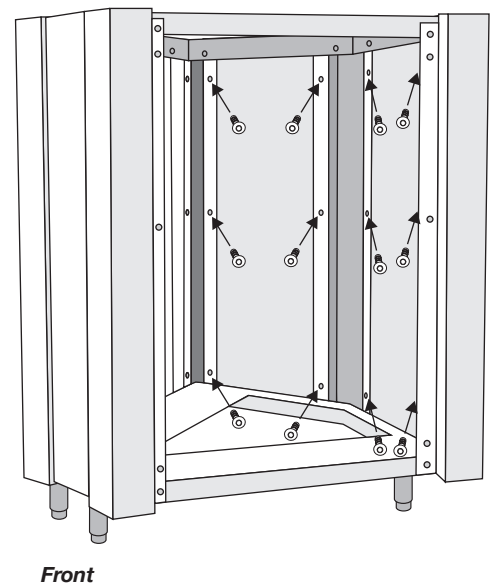
- | | | |
|----|----------------------|----------|
| 2 | Back Panel | BP3026 * |
| 12 | ButtonSoc Cap screws | L1-0002 |
| | Short Arm Hex Key | |

To attach the back panels, place the panels between the corner posts and screw in the ButtonSoc Cap screws on the inside. (see fig. 9) **NOTE:** The panels will only go on one way as the holes match up with the post and panel.

Each panel will use 6 screws. Once all the screws are in place, go back and tighten them all with the Short Arm Hex key. Repeat for the other panels.

NOTE: If attaching this cabinet to another cabinet go to Appendix A on page 10.

Figure 9



* Part numbers are for stainless steel panels. If you have faux stone or filler panels, you can find part numbers on page 6

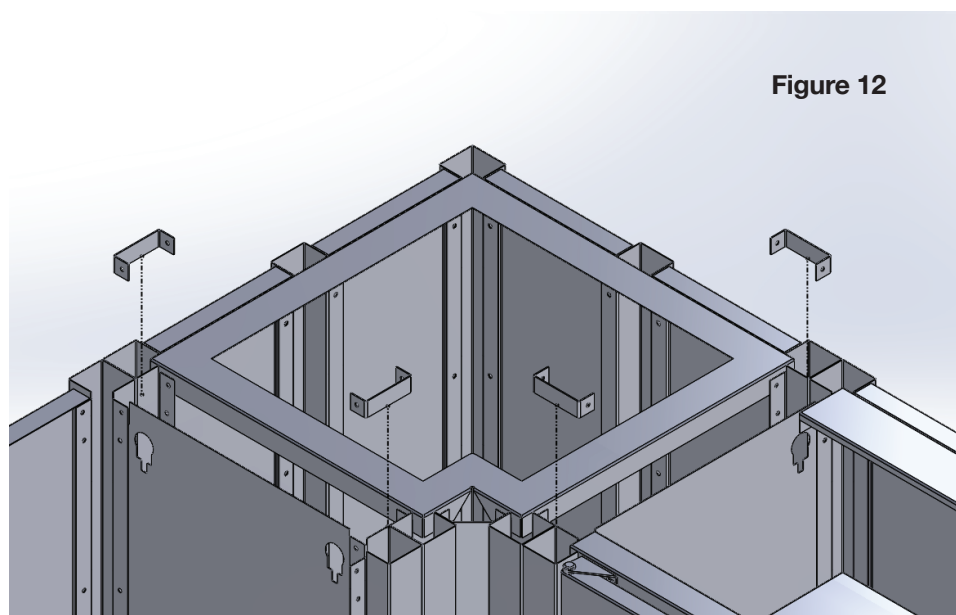
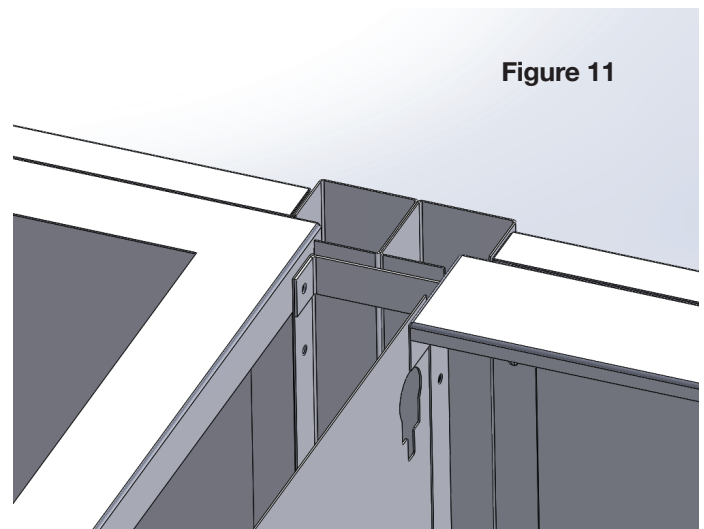
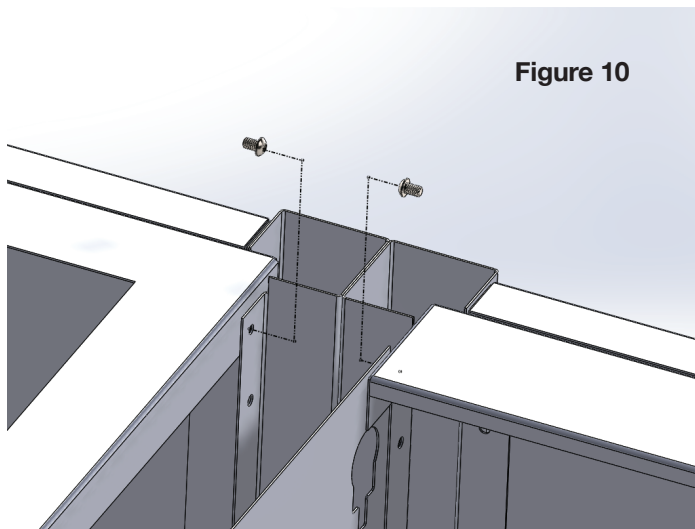
Appendix A

Attaching one cabinet to another.

Parts needed for 45 degree Corner Cabinet

2 Clips per cabinet CC125375

To attach one cabinet to another, butt cabinets up to each other. Level the two cabinets. Remove the top two screws. **(Fig. 10)** Take bracket and place down inside the corner posts and line up with screw holes. Using screws that were removed, reinsert them into the bracket and then the cabinet. **(Fig. 11)** Repeat for opposite side. **(Fig. 12)**



***Thank You.** We appreciate the trust and confidence you have in our products. It is our mission to provide quality products for your backyard. Visit us online to see our full line of Sierra products as well as other products Cardinal Systems Inc. has to offer for your backyard entertainment. Thank you for choosing Cardinal Systems.*

Please retain this manual for future use

