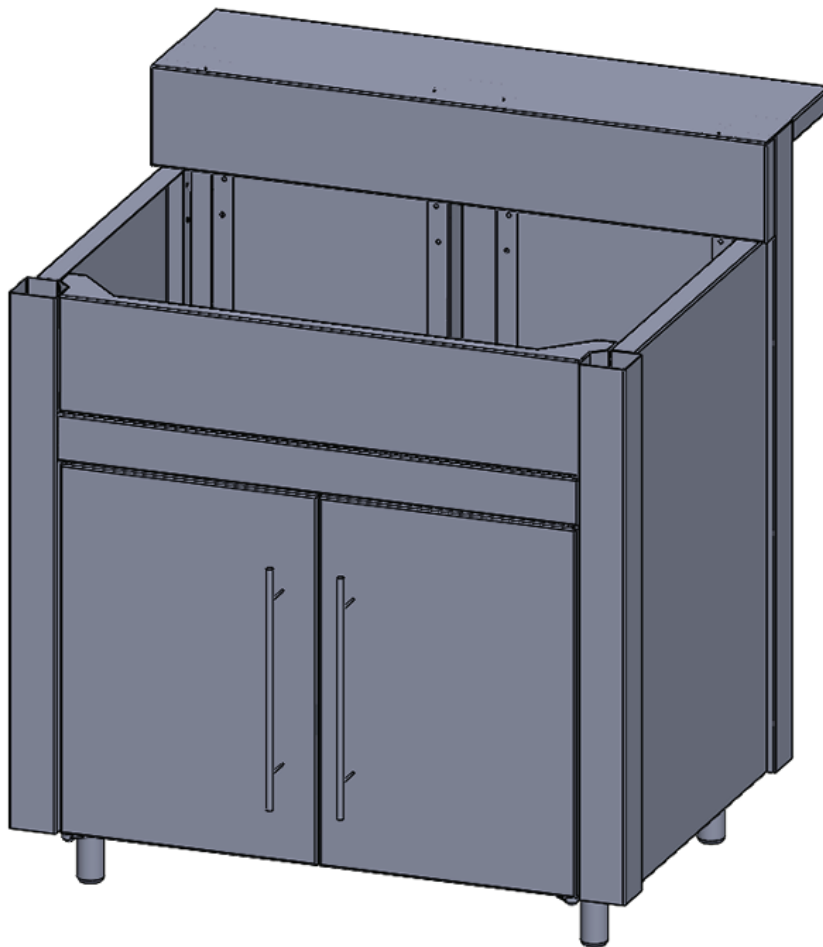




Sierra[®]

OUTDOOR DESIGNS

36 INCH SINK BAR CABINET



For questions, problems or missing parts, please contact
Cardinal Systems, Inc. Customer Service
8:00 a.m. - 5:00 p.m., EST Monday-Friday

570-385-4733

customerservice@cardinalsystemsinc.com

ASSEMBLY INSTRUCTIONS

Table of Contents

Safety Information	3
Warranty	4
Pre-Assembly	5
Planning the Assembly	
Hardware Included	
Parts	
Assembly	8
Appendix A	14

Skill Level

Intermediate

NOTE: It is recommended that 2 people assemble the cabinet

Safety Information



WARNING: Do NOT store any type of chemicals in cabinet.



DANGER: Please keep children out of the assembly area.



WARNING: Heavy objects. Lift with care and/or with a second person.



WARNING: Some panels have sharp edges. Please wear appropriate gloves when handling.

Warranty Information

Cardinal Systems, Inc. warrants to the original consumer purchaser that its Sierra Outdoor Designs cabinets are free from manufacturing defects and workmanship for the useful lifetime of the product.

This warranty is not transferable and is for residential applications only. This warranty applies only to cabinets purchased through an authorized Cardinal Systems, Inc. dealer. This warranty is in lieu of all other implied or expressed warranties.

Cardinal Systems, Inc. uses high quality material in our products, however, they are not impervious to rust and are not covered by this warranty, but can be minimized or eliminated with proper care and cleaning. Surface corrosion and discoloration are a natural reaction of stainless steel to environmental factors. Grills, refrigerators, other appliances and faux stone panels carry individual warranty programs through the original equipment manufacturer.

Cardinal Systems, Inc. reserves the right to make changes in design, construction materials and prices as required and as improvements are developed, without obligation to incorporate such changes in cabinetry or related products previously manufactured by Cardinal Systems, Inc. In no event shall Cardinal Systems, Inc. be liable for incidental or consequential damage.

All claims for defective cabinets or components must be submitted to Cardinal Systems, Inc. in writing to warranty@cardinalsystemsinc.com. Defects alleged to be present must be specified. At the discretion of Cardinal Systems, Inc., we will either repair or replace any defective cabinets or components. An authorized representative of Cardinal Systems, Inc. must review complaints about defective surface finishes. This warranty does not cover scratches or dents to stainless steel surfaces during installation or normal use as it is not defective material or workmanship.

Cardinal Systems, Inc. will not be responsible for any expense involved in removing or reinstalling cabinetry with a defective finish. Cardinal Systems, Inc. reserves the option of either approving field repair or returning the cabinetry or component to the factory for correction. If a field repair is possible, an accurate estimate of the cost must be obtained. No action can be taken without authorization from Cardinal Systems, Inc.

Some states do not allow the exclusion or limitation of incidental or consequential damages, so the above limitations and exclusion may not apply to some purchasers. This warranty gives you specific legal rights. You may have other rights, which vary from state to state.

Pre-Assembly

Planning Assembly

It is recommended that 2 people assemble cabinet.

It is recommended to peel off protective coating in the area where the pieces meet, and leave protective coating on the rest of the areas until you are finished.

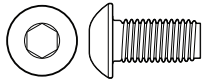
Hardware Included

Part #	Description	Quantity
L1-0001	Ring Magnet	4
L1-0002	1/4-20 x 1/2 ButtonSoc Cap Screw	62
L1-0014	5/32 Short Arm Hex key	1
L1-0010	1/4" Internal Tooth Lockwasher	4
L2-0001	Equip Leg 4" Protruding Stud Hex Toe	4
L2-0002	Pivot Hinge (Left and Right)	1 of each
L2-0003	Door Handle, Bar Pull	2
L1-0004	8-32 x 1 3/4" Button Soc Cap Screw	4
L1-0013	3/32 Short Arm Hex Key	1
L1-0007	6-32 x 3/8 Phillips flat u/c machine screw	4
L1-0008	Thick Nylon Washer	2

NOTE: Hardware not shown to actual size.



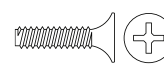
L1-0001



L1-0002



L1-0004



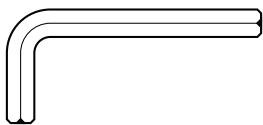
L1-0007



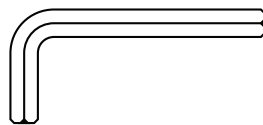
L1-0008



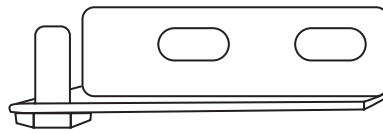
L1-0010



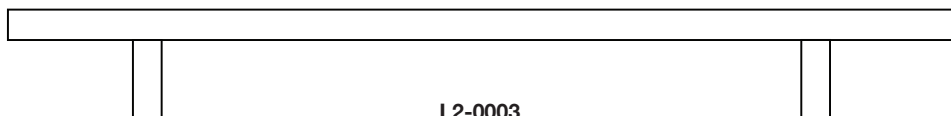
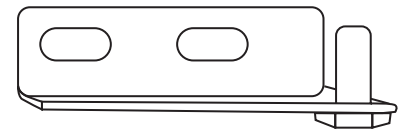
3/32 Short Arm Hex Key



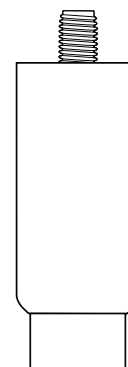
5/32 Short Arm Hex Key



L2-0002



L2-0003



L2-0001

Pre-Assembly - continued

Parts Included for 36 inch Sink Bar Cabinet

NOTE: Parts not shown to actual size. Please check to make sure all parts are accounted for before assembling. Each part is labeled with the part number. It is recommended NOT to remove part number until after it is assembled.

Number	Part #	Description	Quantity
1	BAR3628ASSY	Bar Assembly	1
2	BMS3628	Bottom Assembly	1
3	SP3628	Side Panel	2
4	CM3626Bar	Center Mullion	1
5	CP3626Bar	Corner Post	2
6	CPFL3626V7	Front Corner Post, Left	1
7	CPFR3626V7	Front Corner Post, Right	1

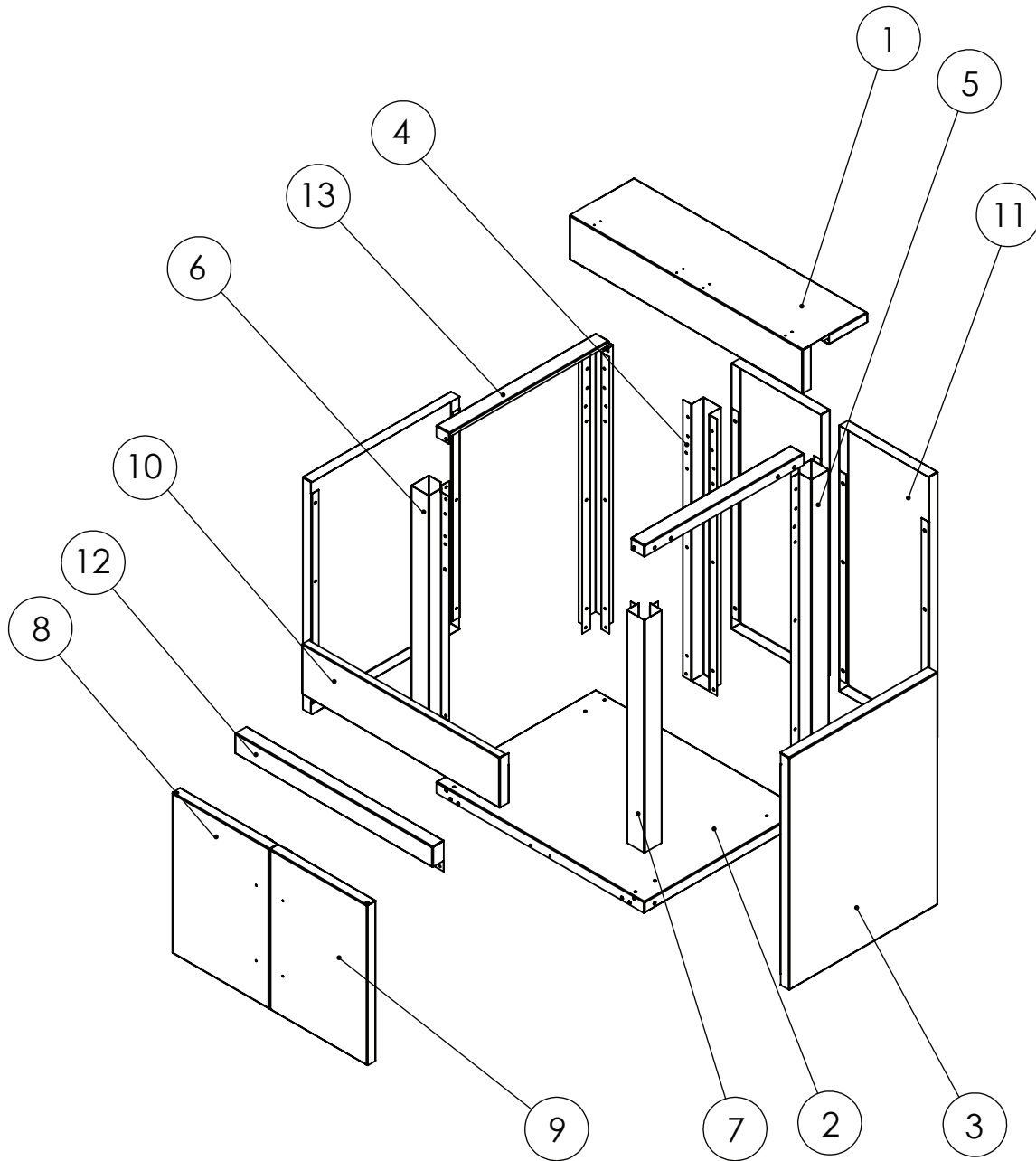
Number	Part #	Description	Quantity
8	DPLH1521ASSY	Door Assembly	1
9	DPRH1521ASSY	Door Assembly	1
10	FP3626V7	Front Panel	1
11	BP3626Bar	Back Panel	2
12	TCM3636V7	Cross Member	1
13	TPS2802	Top Panel, Side	2
	CC125375	Bracket	1 for each filler panel

Alternative Parts for 36 inch Sink Bar Cabinet

Number	Part #	Description
3A	SPF3628V3	Side Panel Filler
3B	SPNLBSASSY	Brown Stone Side Panel
3C	SPNLGSASSY	Gray Stone Side Panel
<hr/>		
11B	BPNLBSASSY	Brown Stone Back Panel
11C	BPNLGSASSY	Gray Stone Side Panel

Pre-Assembly - continued

Parts Included for 36 inch Sink Bar Cabinet



Assembly

1 Attach the front corner posts to the bottom assembly.

Parts needed for 36 inch Sink Bar Cabinet

1	Bottom Assembly	BM3628ASSY
1	Front Corner Post, Left	CPFL3626V7
1	Front Corner Post, Right	CPFR3626V7
2	Lock washers	L1-0010
4	ButtonSoc Cap screws	L1-0002
	Short Arm Hex Key	

Lay the bottom assembly on a flat surface. Attach the front right corner post, positioning the notched part of the post up. (see fig. 1) First insert the front screw with a lock washer using the Short Arm Hex key. (see fig. 2) Then insert the side screw with no lock washer. Do not tighten all the way. Repeat for the left front corner post.

NOTE: The front corner posts are shorter than the back corner posts.

Figure 1

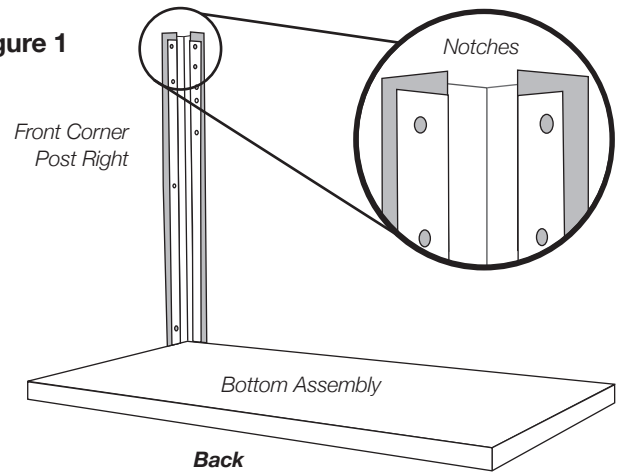
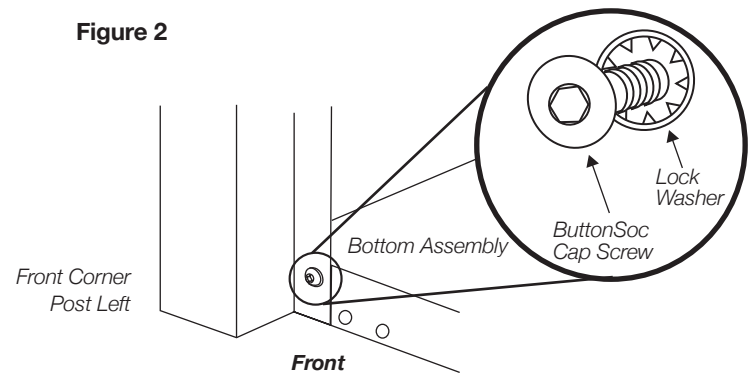


Figure 2



*** NOTE:** Lock washer goes only on the front of the post and bottom assembly. Use only a screw for the side of the post and bottom assembly.

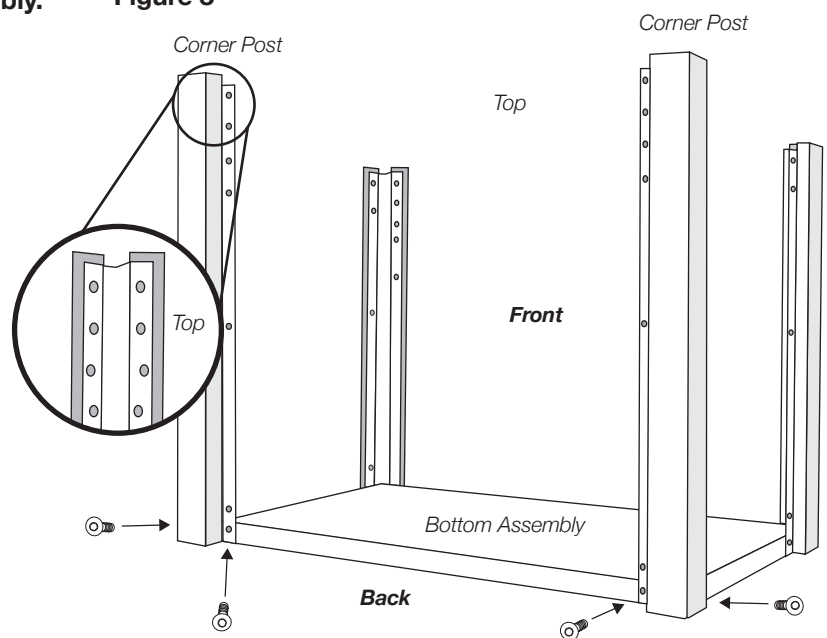
2 Attach the corner posts to the bottom assembly.

Parts needed for 36 inch Sink Bar Cabinet

2	Corner Posts	CP3626Bar
4	ButtonSoc Cap screws	L1-0002
	Short Arm Hex Key	

Attach the back corner posts, making sure the end with the 4 holes are on top. Use a Short Arm Hex key and 2 ButtonSoc Cap screws to attach each post. (see fig. 3) Do not tighten all the way.

Figure 3



Assembly - continued

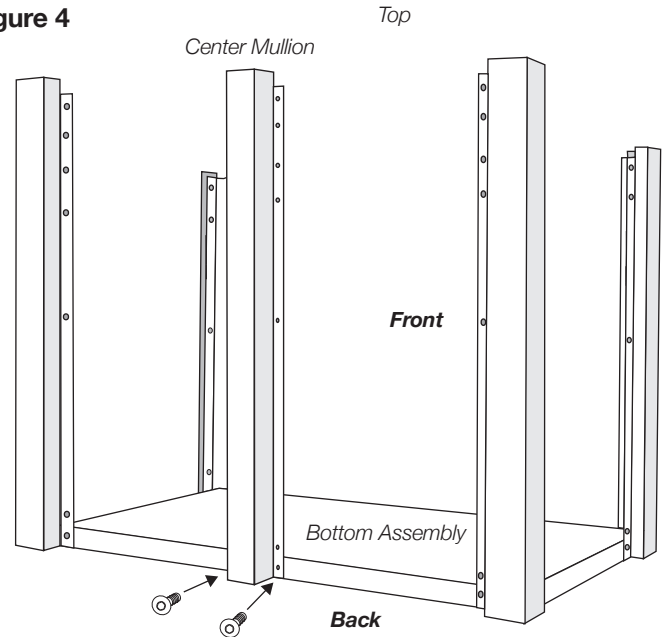
3 Attach the center mullion to the bottom assembly.

Parts needed for 36 inch Sink Bar Cabinet

- | | | |
|---|----------------------|-----------|
| 1 | Center Mullion | CM3626Bar |
| 2 | ButtonSoc Cap screws | L1-0002 |
| | Short Arm Hex Key | |

Attach the center mullion to the bottom assembly, making sure the 4 holes are on top. Use a Short Arm Hex key and 2 ButtonSoc Cap screws to attach. (see fig. 4) Do not tighten all the way.

Figure 4



4 Attach the front cross member

Parts needed for 36 inch Sink Bar Cabinet

- | | | |
|---|----------------------|-----------|
| 1 | Cross Member | TCM3626V7 |
| 2 | Lock washers | L1-0010 |
| 4 | ButtonSoc Cap screws | L1-0002 |
| | Short Arm Hex Key | |

Attach the front cross member to both front corner posts starting from the fourth hole from the top. (see fig. 5) Use 2 ButtonSoc Cap screws and lock washers for the front and only screws on the back. (see fig. 6) Do not tighten all the way.

Figure 5

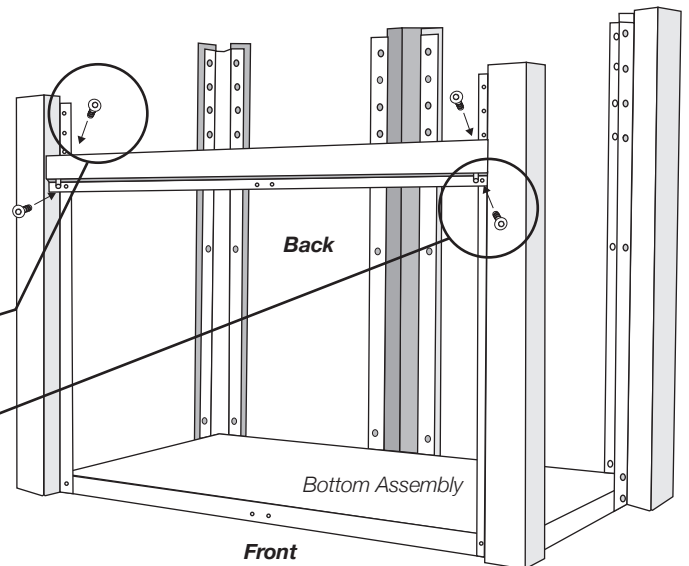
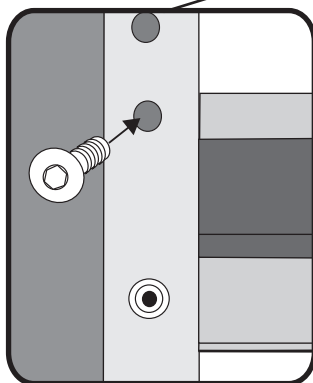
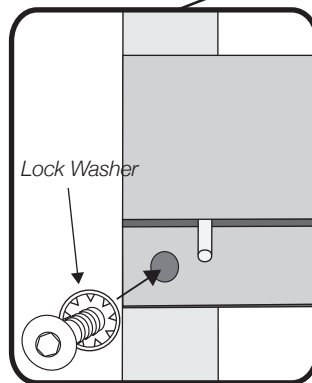


Figure 6



Back



Front

Assembly - continued

5

Attach top side panels.

Parts needed for 36 inch Sink Bar Cabinet

- 2 Top Panel, Side TPS2802
- 8 ButtonSoc Cap screws L1-0002
- 1 Metal Square
- Short Arm Hex Key

Attach the top side panels to the top hole on the front post and the third hole from the top of the back post. Each panel gets 4 screws. (see fig. 7) Square up all posts at the bottom and tighten all screws.

Figure 7

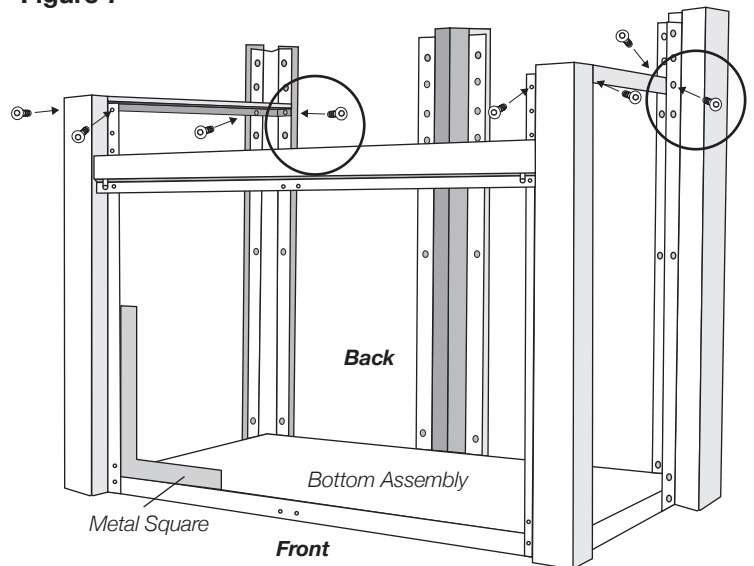


Figure 8

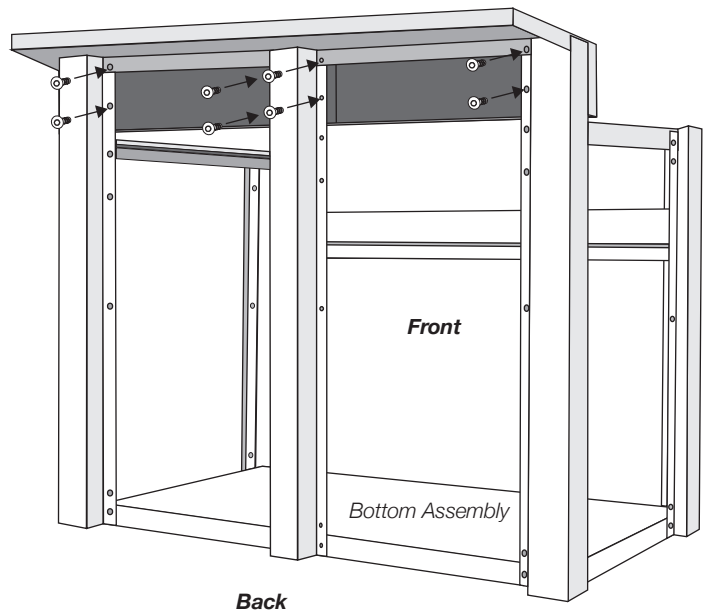
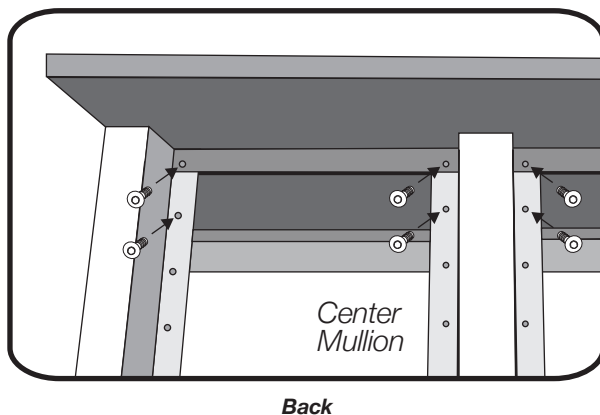
6

Attach bar assembly to the back.

Parts needed for 36 inch Sink Bar Cabinet

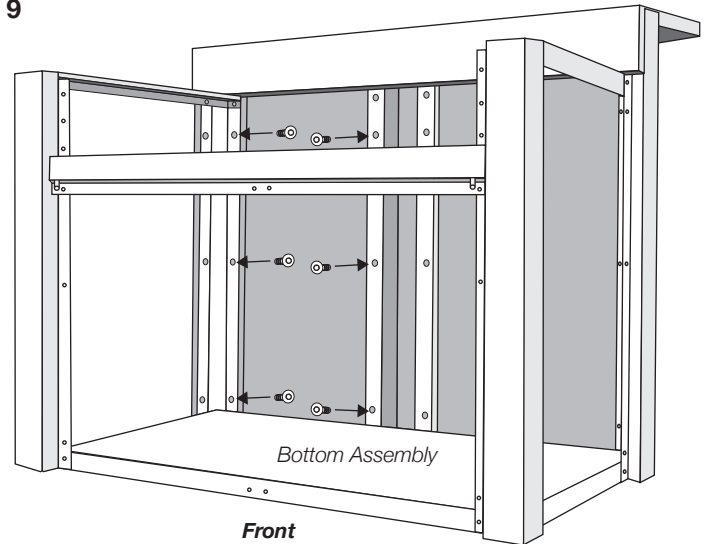
- 1 Bar Assembly BP3026
- 8 ButtonSoc Cap screws L1-0002
- Short Arm Hex Key

Attach the bar to the back corner posts and center mullion. The mullion and corner posts go in between the two bar pieces. (see fig. 8)



Assembly - continued

Figure 9



* Part numbers are for stainless steel panels. If you have faux stone or filler panels, you can find part numbers on page 6.

7

Attach the back panels.

Parts needed for 36 inch Sink Bar Cabinet

- | | | |
|----|----------------------|-------------|
| 2 | Back panels | BP3626Bar * |
| 12 | ButtonSoc Cap screws | L1-0002 |
| | Short Arm Hex Key | |

To attach the back panels, place one of the panels between one of the corner posts and back center mullion. **NOTE:** The side with the bigger notch will go on top.

Each panel will use 6 screws. Once all the screws are in place, go back and tighten them all with the Allen wrench. Repeat for the other back panel. (see fig. 9)

8

Attach the side panels.

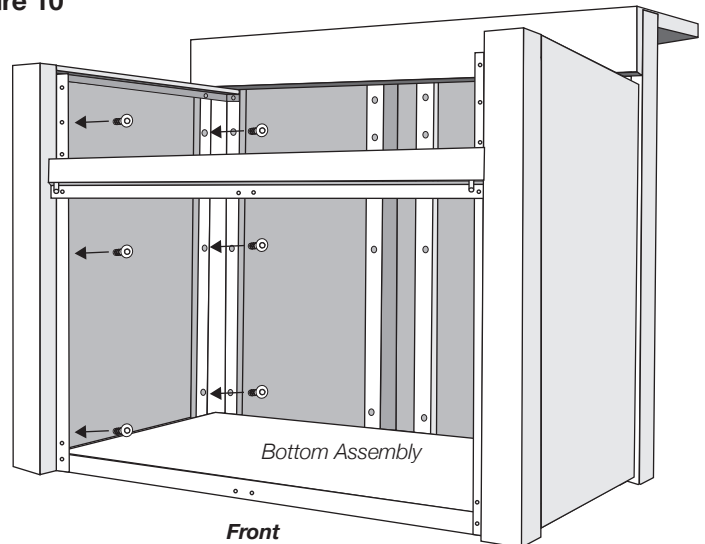
Parts needed for 36 inch Sink Bar Cabinet

- | | | |
|----|----------------------|----------|
| 2 | Side panels | SP3628 * |
| 12 | ButtonSoc Cap screws | L1-0002 |
| | Short Arm Hex Key | |

To attach side panels, place one of the side panels on one side and screw in 6 ButtonSoc Cap screws with the Short Arm Hex key. (see fig. 10) Repeat for the other side panel. **

NOTE: If using a filler panel for connecting to another unit, see Appendix A at the end of these instructions.

Figure 10



* Part numbers are for stainless steel panels. If you have faux stone or filler panels, you can find part numbers on page 6.

** If you have a left unit – the finished panel goes to the left. If you have a right unit, the finished panel goes on the right. If you have a center unit, filler panels go on both the right and the left.

Assembly - continued

9 Attach the adjustable legs to the bottom.

Parts needed for 36 inch Sink Bar Cabinet

- 4 Adjustable legs L2-0001

Lean cabinet on its side, if necessary, being careful not to scratch the surface. Screw in 1 of the 4 legs to the bottom panel into the hole by turning it clockwise. (see fig. 11) Repeat for the other 3. Adjust the bottom part of the leg by turning counter clockwise until the unit is level. (see fig. 12) **NOTE: It is advised to start at the highest point of where the legs touch the surface for leveling.**

Figure 11

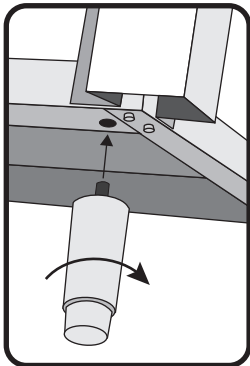
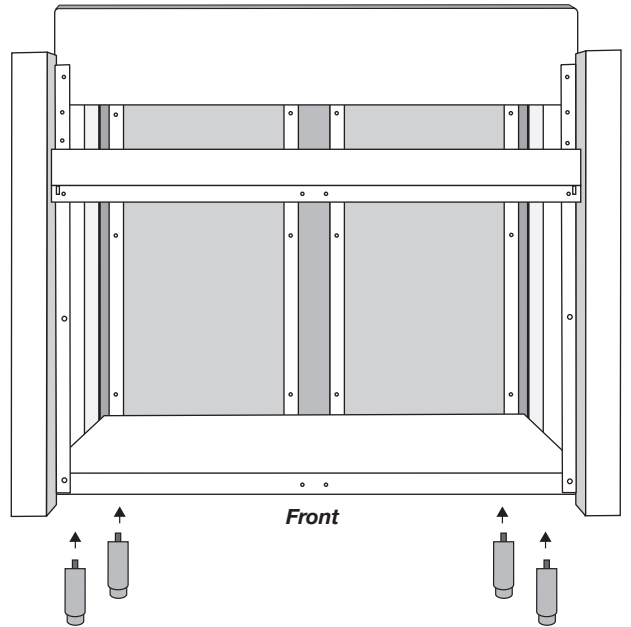
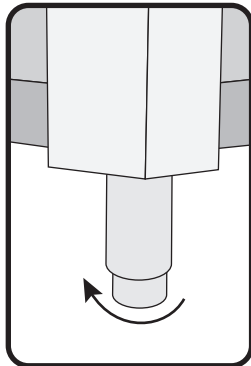


Figure 12



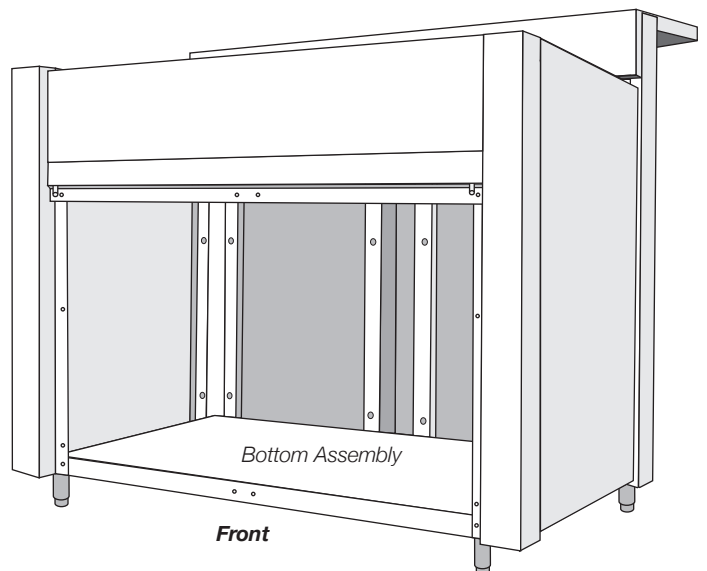
10 Attach the front panel.

Parts needed for 36 inch Sink Bar Cabinet

- 1 Front panel FP3626V7
- 4 ButtonSoc Cap screws L1-0002
- Short Arm Hex Key

Attach the front panel on top of the front cross member with the notches on top. Use 2 ButtonSoc Cap screws for each side to attach. (see fig. 13)

Figure 13



Assembly - continued

11

Attach the door hinges and doors.

Parts needed for 36 inch Sink Bar Cabinet

1	Door Assembly, Right	DPRH1521ASSY
1	Door Assembly, Left	DPLH1521ASSY
1	Left pivot hinge	L2-0002
1	Right pivot hinge	L2-0002
4	ButtonSoc Cap screws	L1-0002
	Short Arm Hex Key	

Before placing the doors on the cabinet, make sure cabinet is level at this point. Level cabinet left to right and then front to back. Place top of door onto top hinge pin. (see fig.14) Place the bottom hinge pin in door and attach to base. Repeat for the other side. (see fig. 15) Adjust doors to be parallel to each other leaving a 1/8" gap between them.

Figure 14

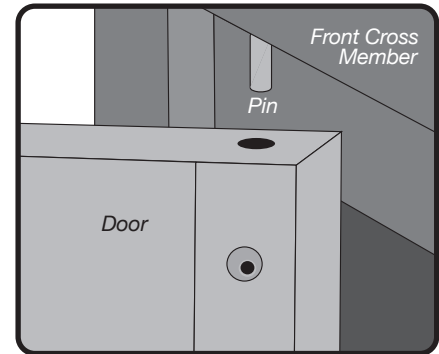
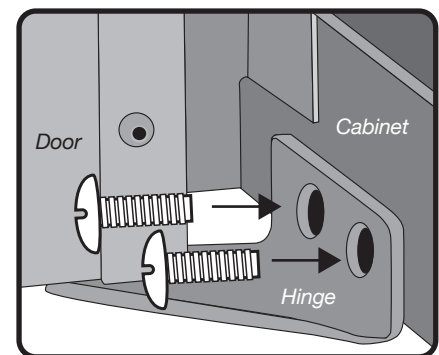


Figure 15



12

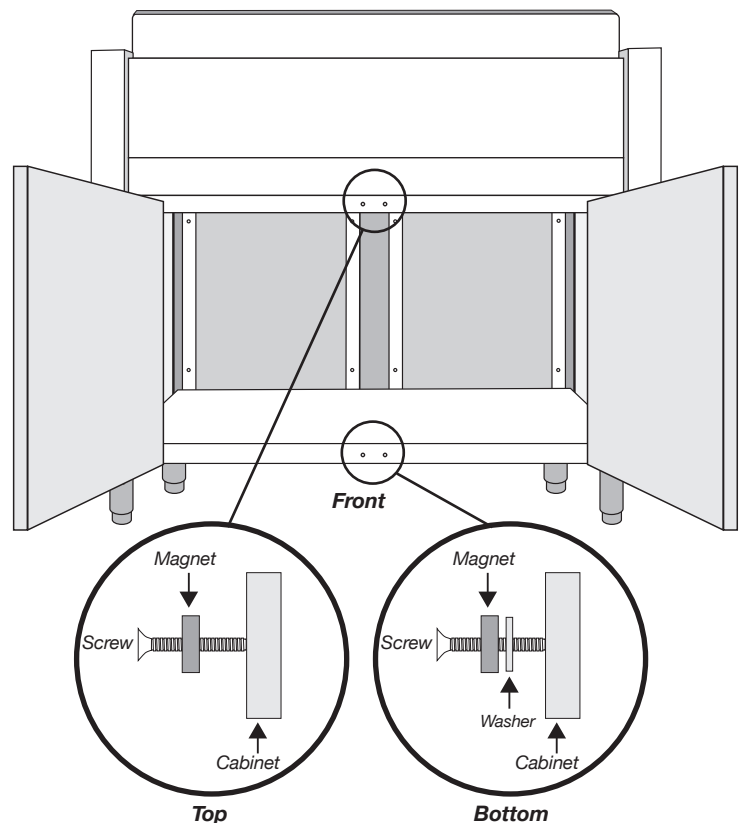
Attach magnets and door handles.

Parts needed for 36 inch Sink Bar Cabinet

4	Phillips Flat u/c machine screws	L1-0007
4	Ring magnets	L1-0001
2	Nylon washers	L1-0008
2	Door Handles	L2-0003
4	1 3/4" ButtonSoc Cap Screws	L1-0004
	Short Arm Hex Key	
	Phillips head screw driver	

Attach the bottom two magnets in the following order; screw, magnet, and washer up against the cabinet with a Phillips head screwdriver. (see fig. 16) For the top two magnets, use only a screw and magnet and tighten with Phillips head screwdriver. (NOTE: washers are not needed for top magnets.) Attach the handles to the doors using the 8-32 x 1 3/4" ButtonSoc Cap screws.

Figure 16



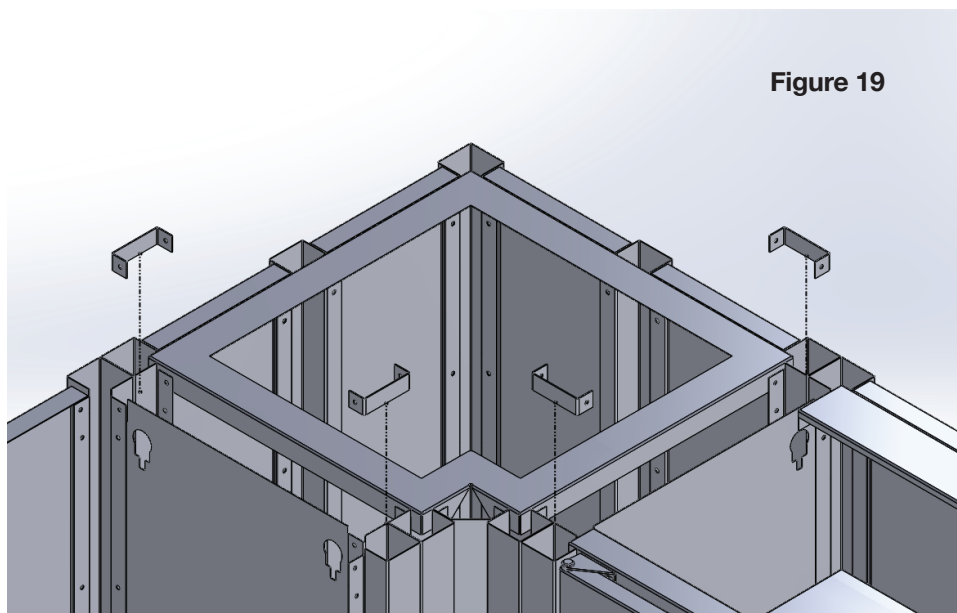
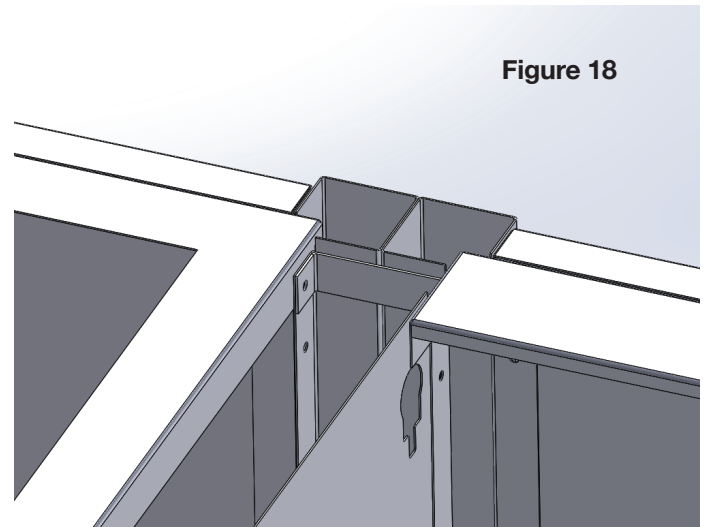
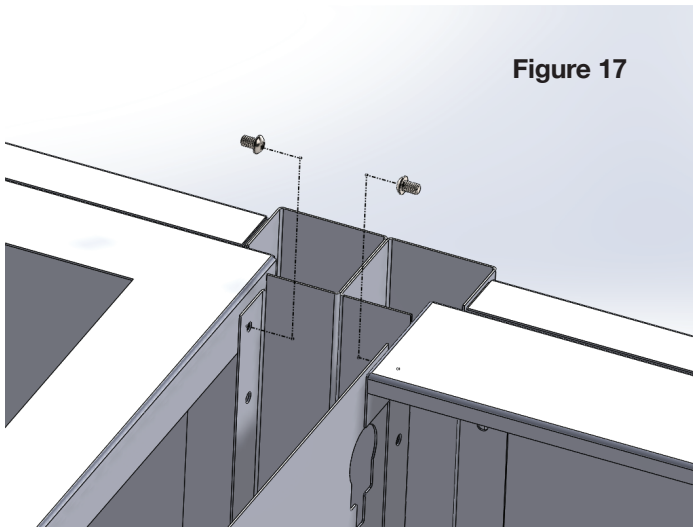
Appendix A

Attaching one cabinet to another.

Parts needed for 36 inch Sink Bar Cabinet

2 Clips per cabinet CC125375

To attach one cabinet to another, butt cabinets up to each other. Level the two cabinets. Remove the top two screws. **(Fig. 17)** Take bracket and place down inside the corner posts and line up with screw holes. Using screws that were removed, reinsert them into the bracket and then the cabinet. **(Fig. 18)** Repeat for opposite side. **(Fig. 19)**



***Thank You.** We appreciate the trust and confidence you have in our products. It is our mission to provide quality products for your backyard. Visit us online to see our full line of Sierra products as well as other products Cardinal Systems Inc. has to offer for your backyard entertainment. Thank you for choosing Cardinal Systems.*

Please retain this manual for future use

