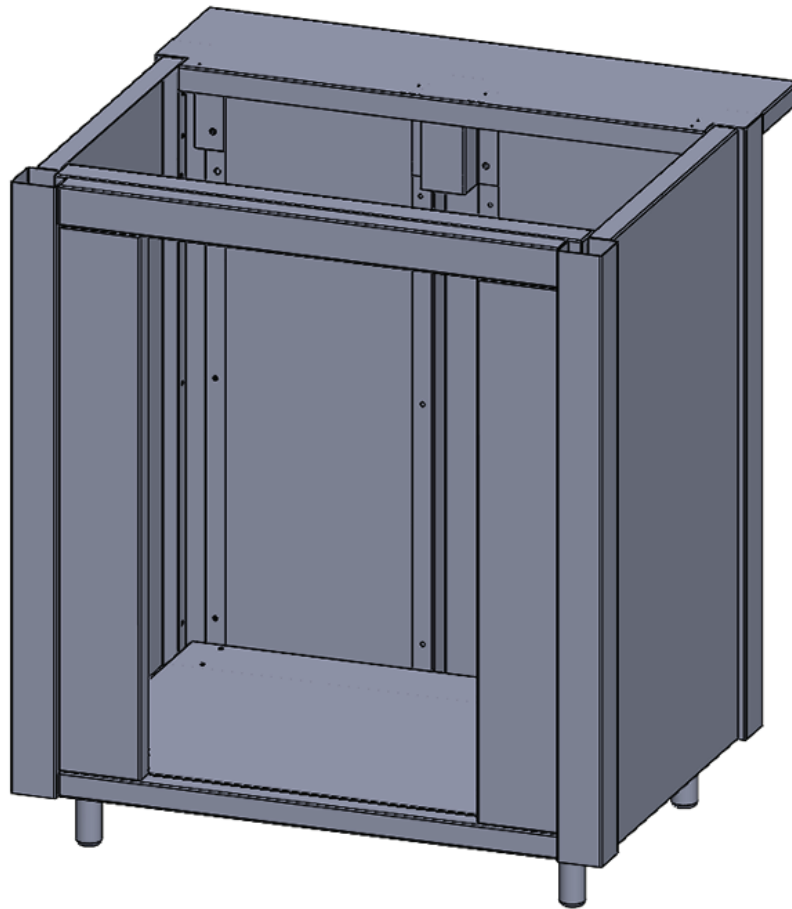




Sierra[®]

OUTDOOR DESIGNS

36 INCH REFRIGERATOR BAR CABINET



For questions, problems or missing parts, please contact
Cardinal Systems, Inc. Customer Service
8:00 a.m. - 5:00 p.m., EST Monday-Friday

570-385-4733

customerservice@cardinalsystemsinc.com

ASSEMBLY INSTRUCTIONS

Table of Contents

Safety Information 3
Warranty 4
Pre-Assembly 5
 Planning the Assembly
 Hardware Included
 Parts
Assembly 8
Appendix A 18

Skill Level
Intermediate

NOTE: It is recommended that 2 people assemble the cabinet

Safety Information



WARNING: Do NOT store any type of chemicals in cabinet.



DANGER: Please keep children out of the assembly area.



WARNING: Heavy objects. Lift with care and/or with a second person.



WARNING: Some panels have sharp edges. Please wear appropriate gloves when handling.

Warranty Information

Cardinal Systems, Inc. warrants to the original consumer purchaser that its Sierra Outdoor Designs cabinets are free from manufacturing defects and workmanship for the useful lifetime of the product.

This warranty is not transferable and is for residential applications only. This warranty applies only to cabinets purchased through an authorized Cardinal Systems, Inc. dealer. This warranty is in lieu of all other implied or expressed warranties.

Cardinal Systems, Inc. uses high quality material in our products, however, they are not impervious to rust and are not covered by this warranty, but can be minimized or eliminated with proper care and cleaning. Surface corrosion and discoloration are a natural reaction of stainless steel to environmental factors. Grills, refrigerators, other appliances and faux stone panels carry individual warranty programs through the original equipment manufacturer.

Cardinal Systems, Inc. reserves the right to make changes in design, construction materials and prices as required and as improvements are developed, without obligation to incorporate such changes in cabinetry or related products previously manufactured by Cardinal Systems, Inc. In no event shall Cardinal Systems, Inc. be liable for incidental or consequential damage.

All claims for defective cabinets or components must be submitted to Cardinal Systems, Inc. in writing to warranty@cardinalsystemsinc.com. Defects alleged to be present must be specified. At the discretion of Cardinal Systems, Inc., we will either repair or replace any defective cabinets or components. An authorized representative of Cardinal Systems, Inc. must review complaints about defective surface finishes. This warranty does not cover scratches or dents to stainless steel surfaces during installation or normal use as it is not defective material or workmanship.

Cardinal Systems, Inc. will not be responsible for any expense involved in removing or reinstalling cabinetry with a defective finish. Cardinal Systems, Inc. reserves the option of either approving field repair or returning the cabinetry or component to the factory for correction. If a field repair is possible, an accurate estimate of the cost must be obtained. No action can be taken without authorization from Cardinal Systems, Inc.

Some states do not allow the exclusion or limitation of incidental or consequential damages, so the above limitations and exclusion may not apply to some purchasers. This warranty gives you specific legal rights. You may have other rights, which vary from state to state.

Pre-Assembly

Planning Assembly

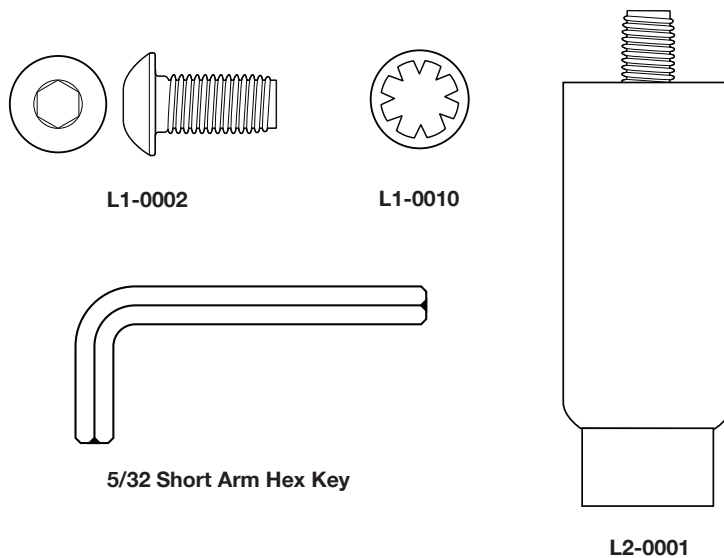
It is recommended that 2 people assemble cabinet.

It is recommended to peel off protective coating in the area where the pieces meet, and leave protective coating on the rest of the areas until you are finished.

Hardware Included

Part #	Description	Quantity
L1-0002	1/4-20 x 1/2 ButtonSoc Cap Screw	50
L1-0014	5/32 Short Arm Hex key	1
L1-0010	1/4" Internal Tooth Lockwasher	4
L2-0001	Equip Leg 4" Protruding Stud Hex Toe	4

NOTE: Hardware not shown to actual size.



Pre-Assembly - continued

Parts Included for 36 inch Refrigerator Bar Cabinet

NOTE: Parts not shown to actual size. Please check to make sure all parts are accounted for before assembling. Each part is labeled with the part number. It is recommended NOT to remove part number until after it is assembled.

Number	Part #	Description	Quantity
1	BARFR3628ASSY	Bar Assembly	1
2	BMF3628ASSY	Bottom Assembly	1
3	SP2837	Side Panel	2
4	CM3626Bar	Center Mullion	1
5	CP0037	Corner Post	4
6	FPB3637	Front Panel, Bottom	1
7	TPFR3626	Top Panel, Front	1
8	BP3626Bar	Back Panel	2
	CC125375	Bracket	1 for each filler panel

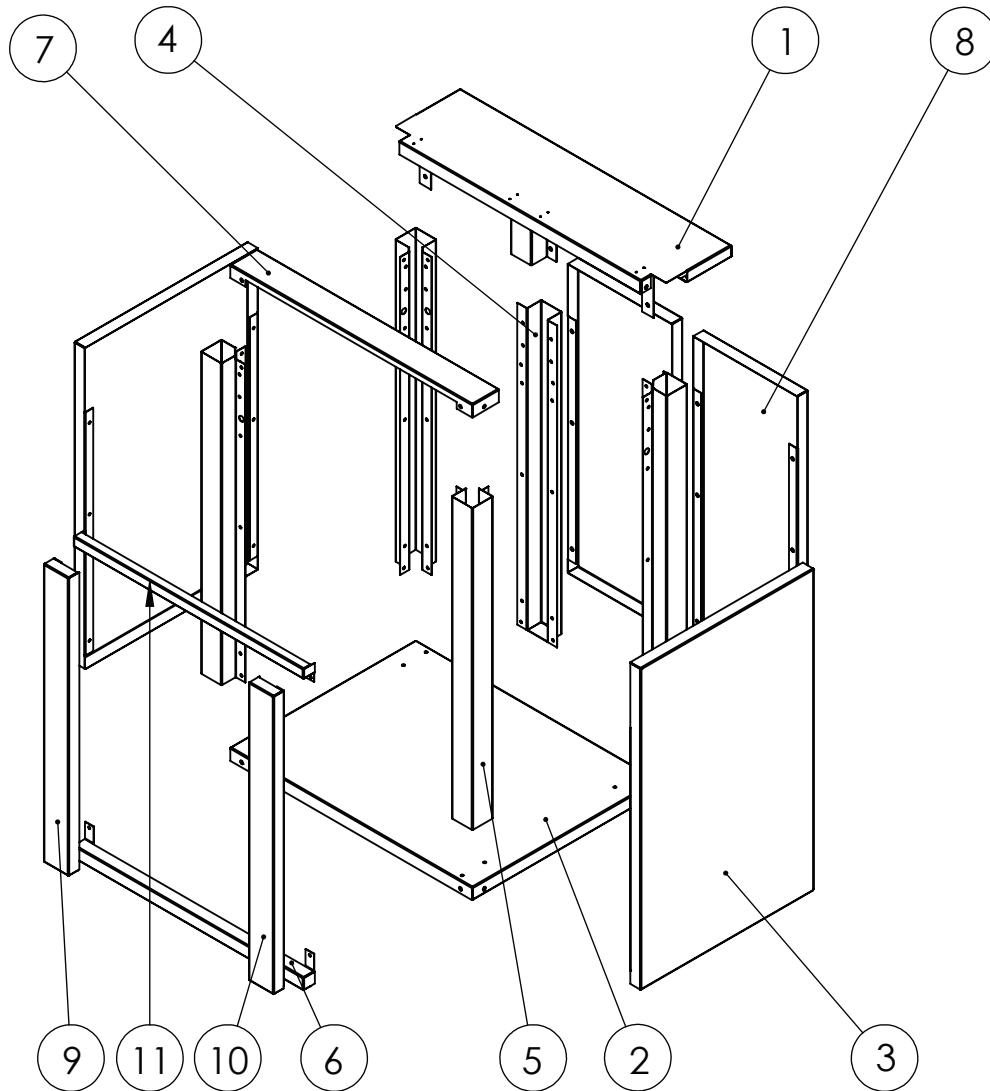
Refrigerator Adapter Kit			
Number	Part #	Description	Quantity
9	FPSL3637 - S24 *	Left Side Filler	1
10	FPSR3637 - S24 *	Right Side Filler	1
11	FPT3637 - S34 *	Front Top Filler	1
* Part number will change according to the adapter kit you purchase			

Alternative Parts for 36 inch Refrigerator Bar Cabinet

Number	Part #	Description
3A	SPF3628	Side Panel Filler
3B	SPNLREFBBSASSY	Brown Stone Side Panel
3C	SPNLREFBGSASSY	Gray Stone Side Panel
3D	SPT2802	2" Side Panel, top (used with stone panel)
3E	SPT2806	6" Side Panel, top (used with side filler panel)
<hr/>		
8B	BPNLREFBBSASSY	Brown Stone Back Panel
8C	BPNLREFBGSASSY	Gray Stone Back Panel

Pre-Assembly - continued

Parts Included for 36 inch Refrigerator Bar Cabinet



Assembly

1 Attach the corner posts.

Parts needed for 36 inch Refrigerator Bar Cabinet

- | | | |
|---|----------------------|-------------|
| 1 | Bottom Assembly | BMF3628ASSY |
| 4 | Corner posts | CP0037 |
| 2 | Lock washers | L1-0010 |
| 8 | ButtonSoc Cap screws | L1-0002 |
| | Short Arm Hex Key | |

Lay the bottom assembly on a flat surface. Attach the front corner posts, positioning the notched part of the post and the end with the bigger hole on top. (see fig. 1) First insert the front screw with a lock washer * using the Short Arm Hex key. (see fig. 2) Then insert the side screw with no lock washer. Do not tighten all the way. Repeat for other front post. Attach each back corner post with 2 screws, no washer.

Figure 1

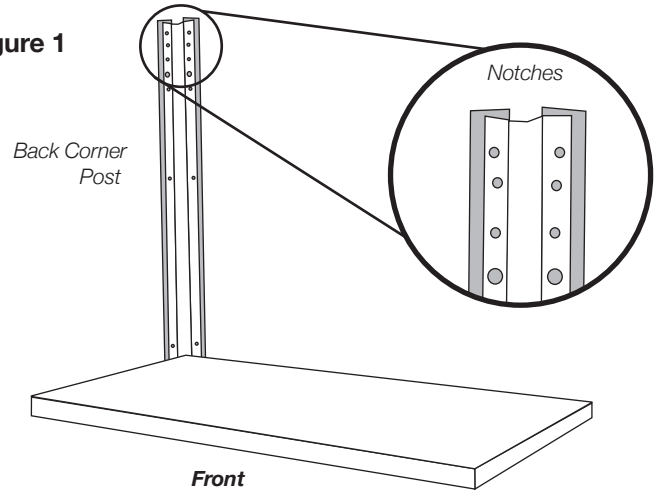
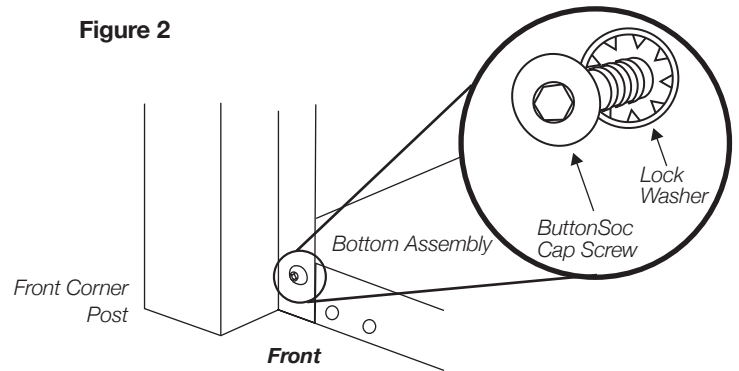


Figure 2



*** NOTE: Lock washer goes only on the front of the post and bottom assembly. Use only a screw for the side of the post and bottom assembly.**

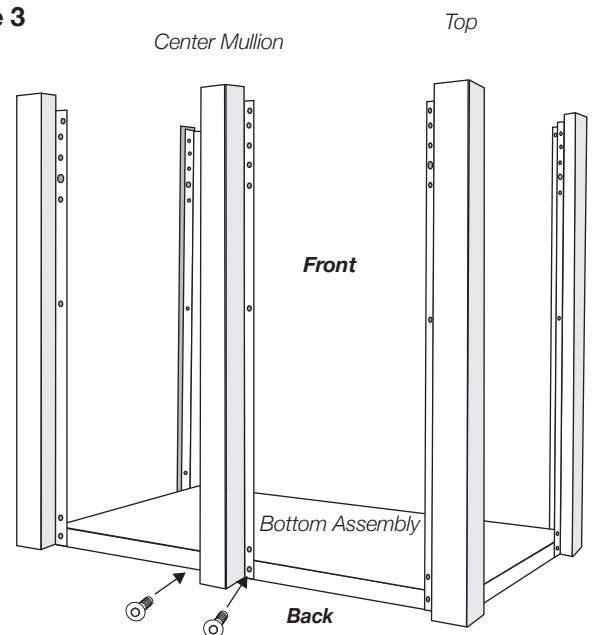
2 Attach the center mullion to the bottom assembly.

Parts needed for 36 inch Refrigerator Bar Cabinet

- | | | |
|---|----------------------|-----------|
| 1 | Center Mullion | CM3626Bar |
| 2 | ButtonSoc Cap screws | L1-0002 |
| | Short Arm Hex Key | |

Attach the center mullion to the bottom assembly, making sure the 4 holes are on top. Use a Short Arm Hex key and 2 ButtonSoc Cap screws to attach. (see fig. 3) Do not tighten all the way.

Figure 3



Assembly - continued

3 Attach the front top panel.

Parts needed for 36 inch Refrigerator Bar Cabinet

- 1 Top Panel, Front TPF3626
- 2 Lock washers L1-0010
- 4 ButtonSoc Cap screws L1-0002
- Short Arm Hex Key

Attach the front top panel behind the front corner posts with a screw and lock washer on the front screws and only a screw on the sides. (see fig. 4) Do not tighten all the way.

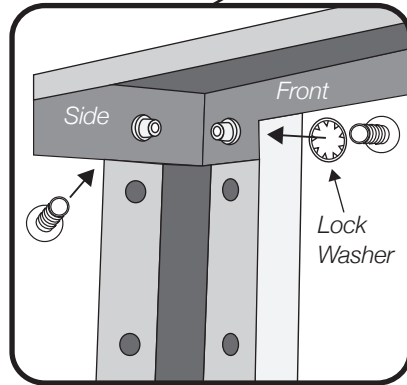
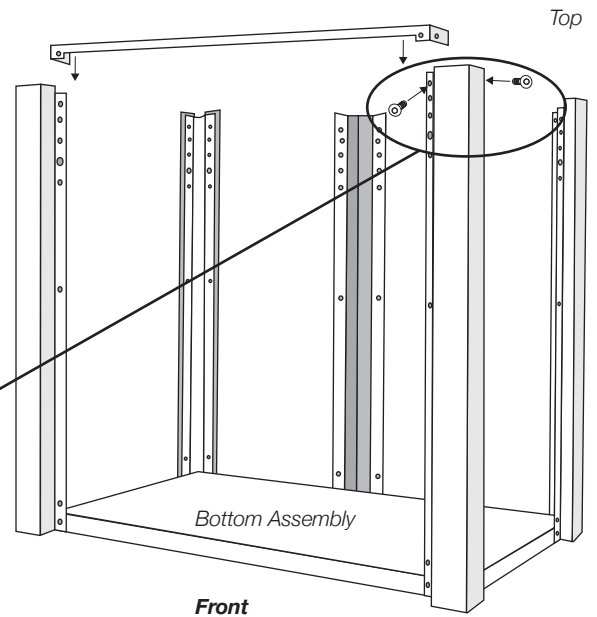


Figure 4



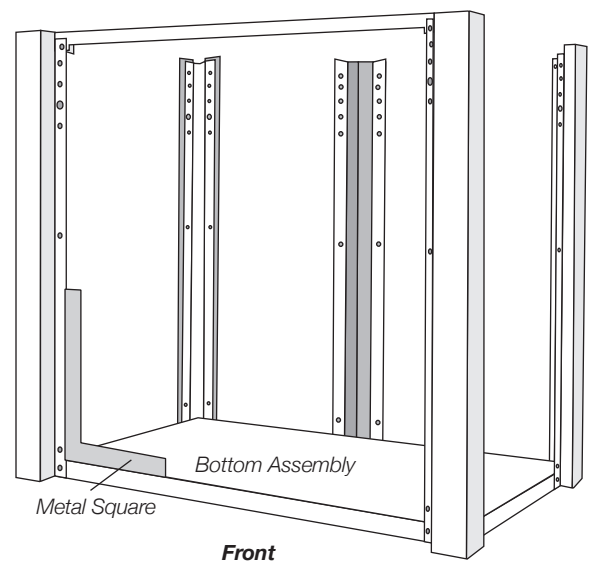
4 Square up and tighten all posts.

Parts needed for 36 inch Refrigerator Bar Cabinet

- 1 Metal Square
- Short Arm Hex Key

Take a metal square and square up all the posts. As you square up the posts, tighten all the screws. (see fig. 5)

Figure 5



Assembly - continued

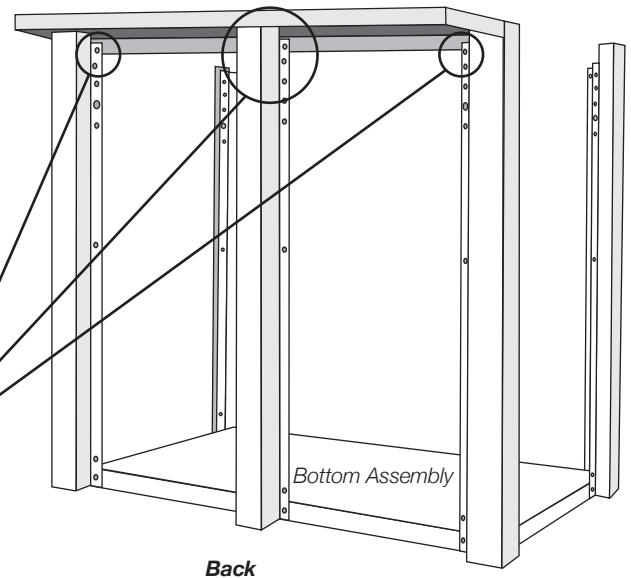
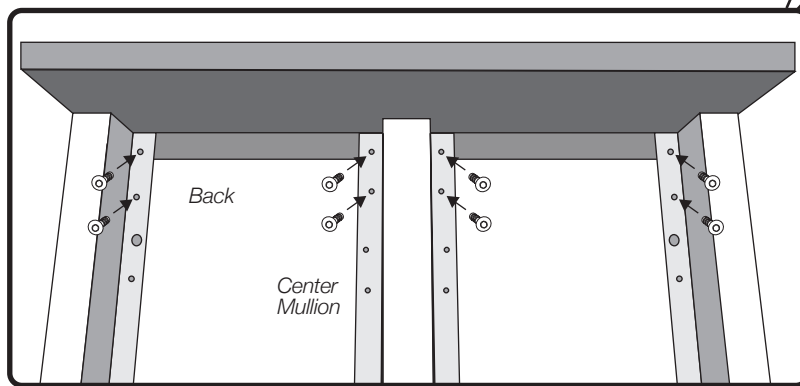
Figure 6

5 Attach the bar assembly to the back.

Parts needed for 36 inch Refrigerator Bar Cabinet

- | | | |
|---|----------------------|---------------|
| 1 | Bar Assembly | BARFR3628ASSY |
| 8 | ButtonSoc Cap screws | L1-0002 |
| | Short Arm Hex Key | |

Attach the bar to the back posts and center mullion. The mullion and corner posts go in between the 2 bar pieces. Use 1 screw on each corner and 8 screws in the back. (see fig. 6)



6 Attach the back panels.

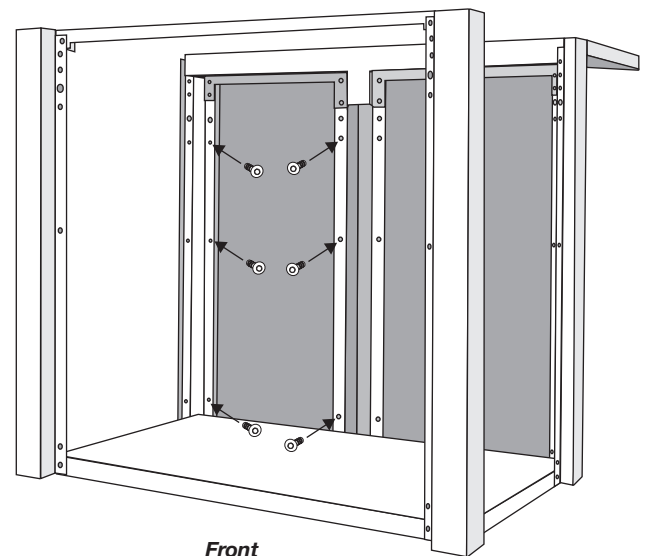
Parts needed for 36 inch Refrigerator Bar Cabinet

- | | | |
|----|----------------------|-------------|
| 2 | Back Panels | BP3626Bar * |
| 12 | ButtonSoc Cap screws | L1-0002 |
| | Short Arm Hex Key | |

To attach the back panels, place one of the panels between one of the corner posts and back center mullion. Place all the ButtonSoc Cap screws in by hand on the inside of the panel and post. **NOTE:** The panels will only go on one way as the holes match up with the post and panel.

Each panel will use 6 screws. Once all the screws are in place, go back and tighten them all with the Short Arm Hex key. Repeat for the other back panel. (see fig. 7)

Figure 7



* Part numbers are for stainless steel panels. If you have faux stone or filler panels, you can find part numbers on page 6.

Assembly - continued

7 Attach the side panels.

Parts needed for 36 inch Refrigerator Bar Cabinet

2	Side Panels	SP2837 *
12	ButtonSoc Cap screws	L1-0002
	Short Arm Hex Key	

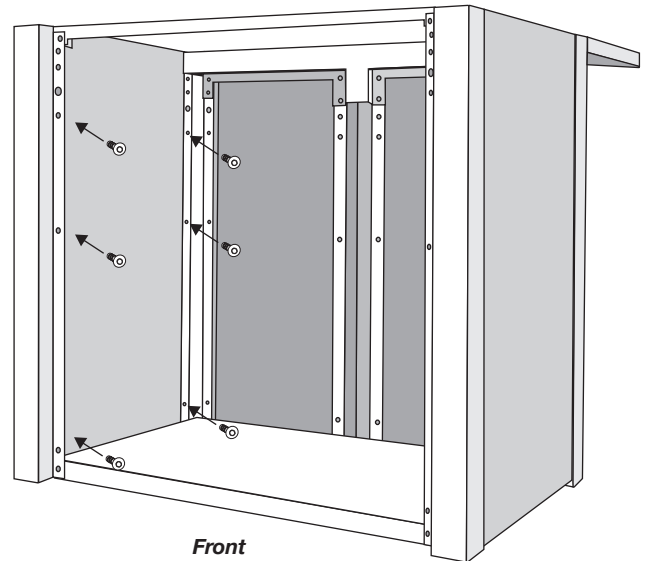
To attach side panels, place one of the side panels on one side and screw in 6 ButtonSoc Cap screws and tighten. (see fig. 8)

NOTE: The panels will only go on one way as the holes match up with the post and panel. **

Once all the screws are in place, go back and tighten them all with the Allen wrench. Repeat for the other side panel.

NOTE: If using a filler panel for connecting to another unit, see Appendix A at the end of these instructions.

Figure 8



* Part numbers are for stainless steel panels. If you have faux stone or filler panels, you can find part numbers on page 6.

** If you have a left unit – the finished panel goes to the left. If you have a right unit, the finished panel goes on the right. If you have a center unit, filler panels go on both the right and the left.

8 Attach the adjustable legs to the bottom panel.

Parts needed for 36 inch Refrigerator Bar Cabinet

4	Adjustable legs	L2-0001
---	-----------------	---------

Lean cabinet on its side, if necessary, being careful not to scratch the surface. Screw in 1 of the 4 legs to the bottom panel into the hole by turning it clockwise. (see fig. 9) Repeat for the other 3. Adjust the bottom part of the leg by turning counter clockwise until the unit is level. (see fig. 10) **NOTE:** It is advised to start at the highest point of where the legs touch the surface for leveling.

Figure 9

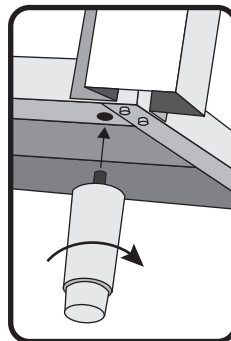
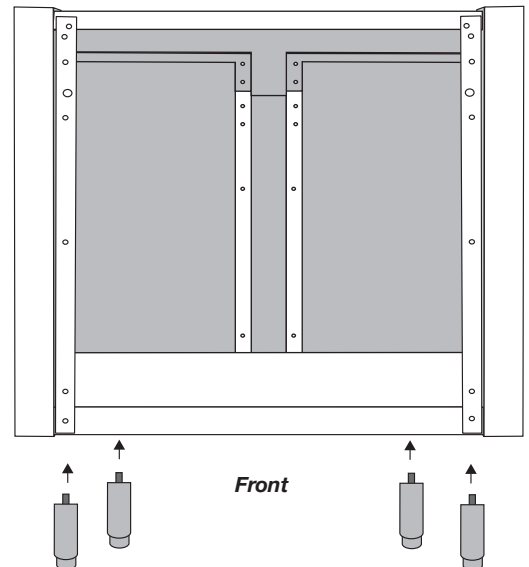
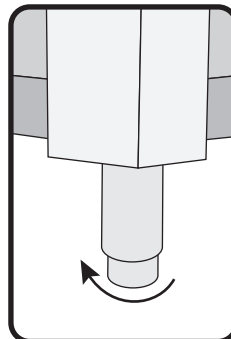


Figure 10



Assembly - continued

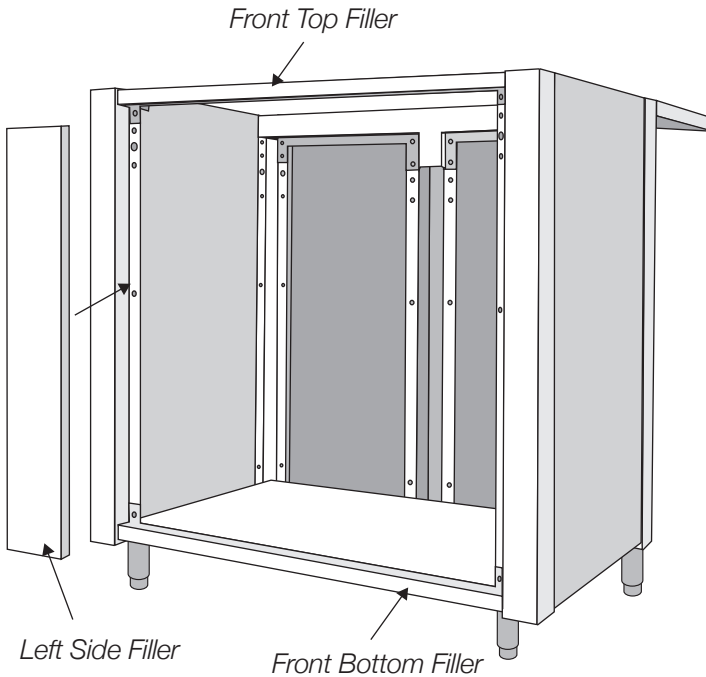
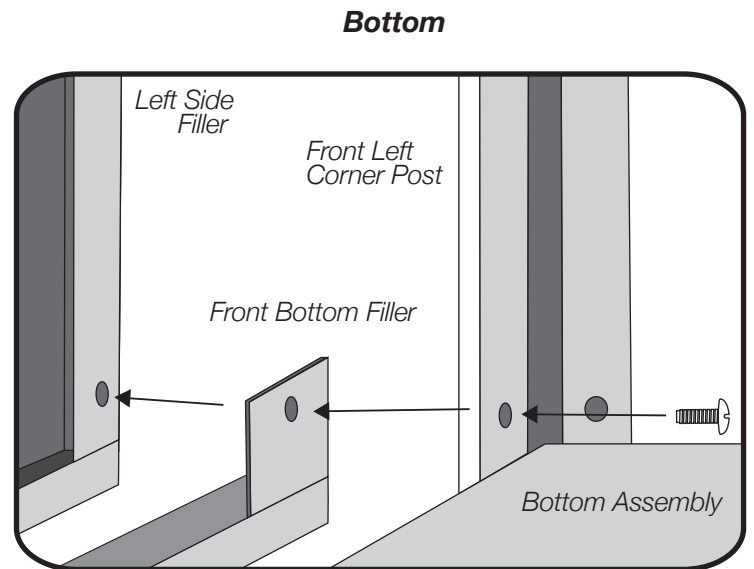
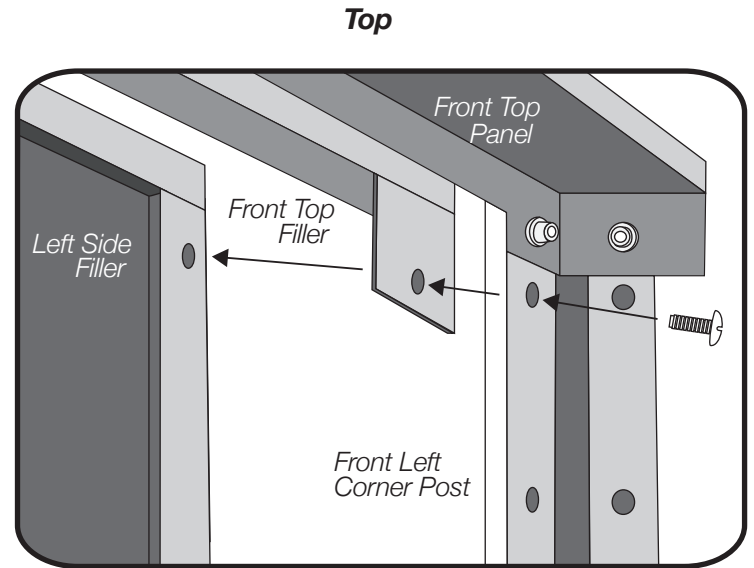
Figure 11

9 Attach the Fridge Adapter Kit.

Parts needed for 36 inch Refrigerator Bar Cabinet

- | | | |
|---|----------------------|----------------|
| 1 | Front Bottom Filler | FPB3637 |
| 1 | Front Top Filler | FPT3637- S34 |
| 1 | Left Side Filler | FPSL3637 - S24 |
| 1 | Right Side Filler | FPSR3637 - S24 |
| 4 | ButtonSoc Cap screws | L1-0002 |
| | Short Arm Hex Key | |

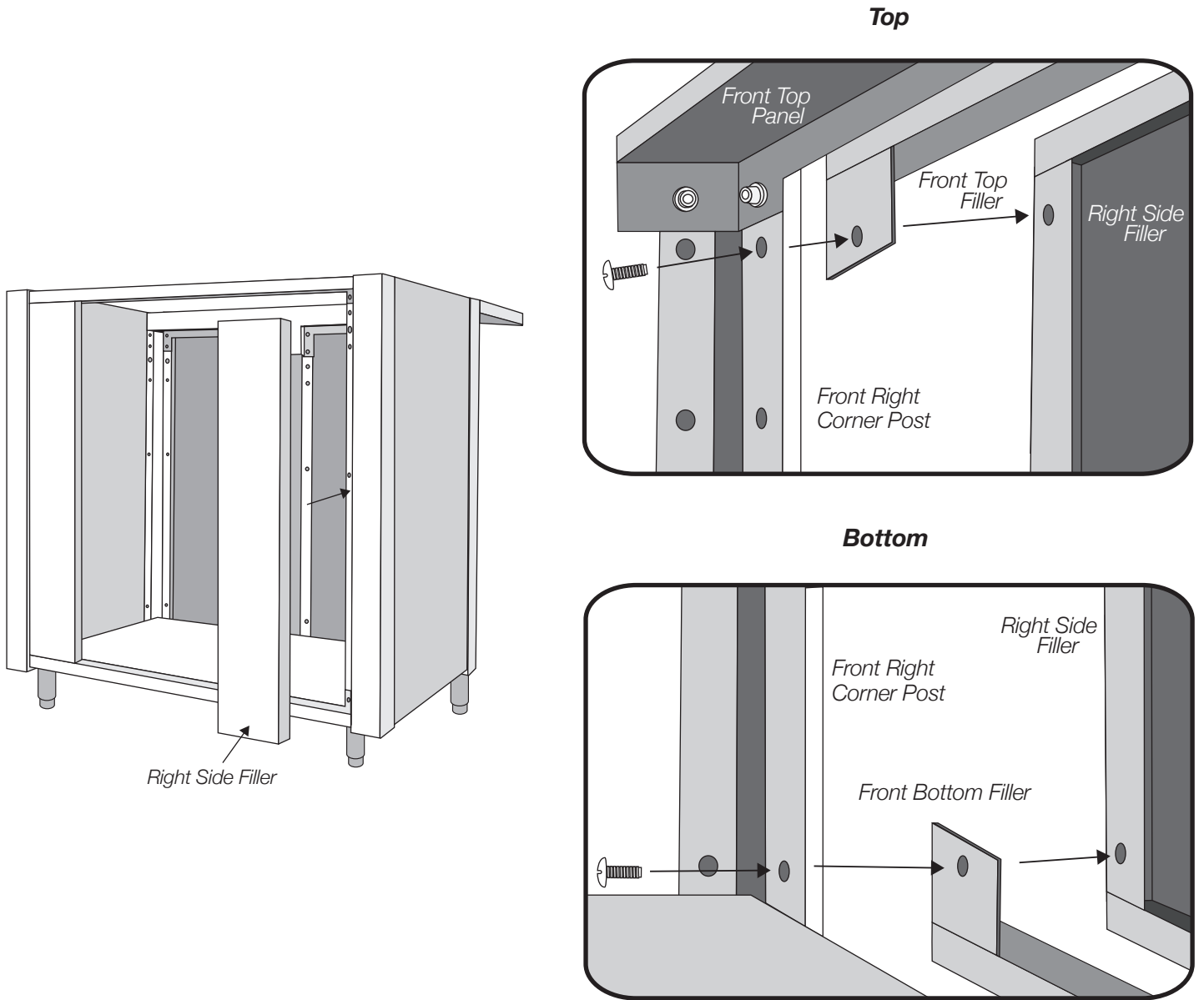
Place the front top filler and front bottom filler in place. (see fig. 11) Attach left filler panel, top and bottom panels to the left side of cabinet using 2 hex screws and tighten. Then do the same with the right side. (see fig. 12)



*** NOTE: The front bottom panel ships with the cabinet. The 3 other filler panels (left, right, and top) come in the refrigerator kit.**

(Step 9 continued on page 13)

Figure 12



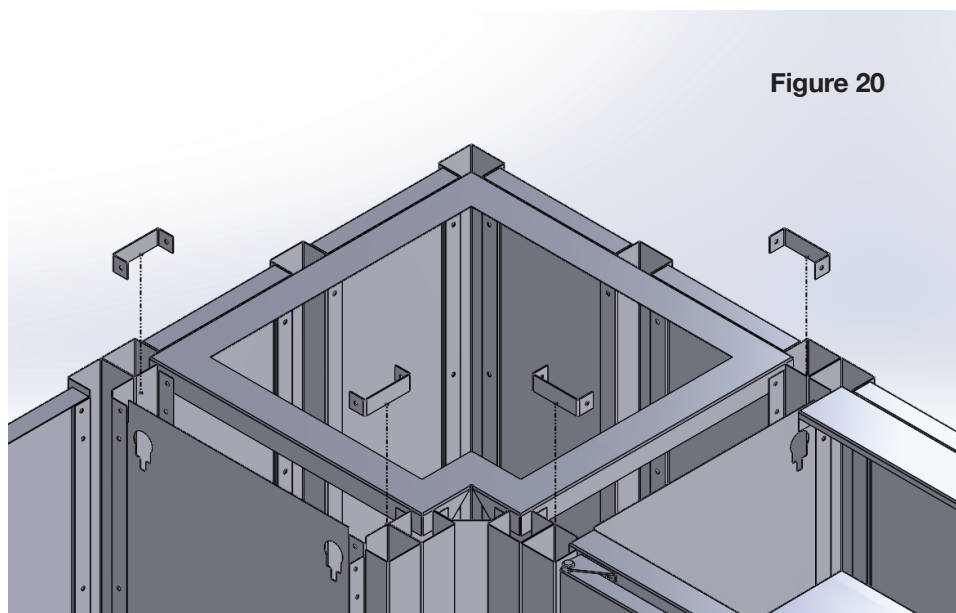
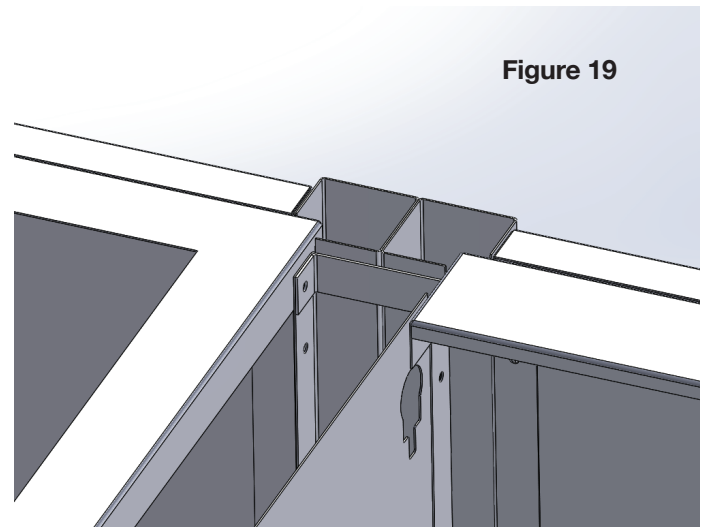
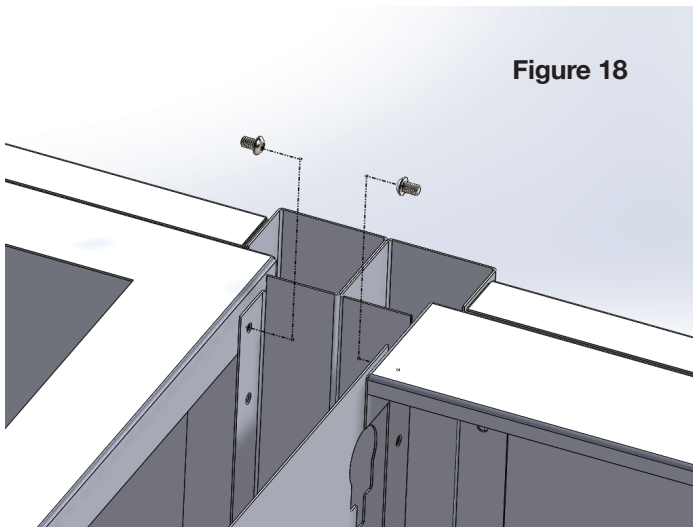
Appendix A

Attaching one cabinet to another.

Parts needed for 36 inch Refrigerator Bar Cabinet

2 Clips per cabinet CC125375

To attach one cabinet to another, butt cabinets up to each other. Level the two cabinets. Remove the top two screws. **(Fig. 18)** Take bracket and place down inside the corner posts and line up with screw holes. Using screws that were removed, reinsert them into the bracket and then the cabinet. **(Fig. 19)** Repeat for opposite side. **(Fig. 20)**



***Thank You.** We appreciate the trust and confidence you have in our products. It is our mission to provide quality products for your backyard. Visit us online to see our full line of Sierra products as well as other products Cardinal Systems Inc. has to offer for your backyard entertainment. Thank you for choosing Cardinal Systems.*

Please retain this manual for future use

