



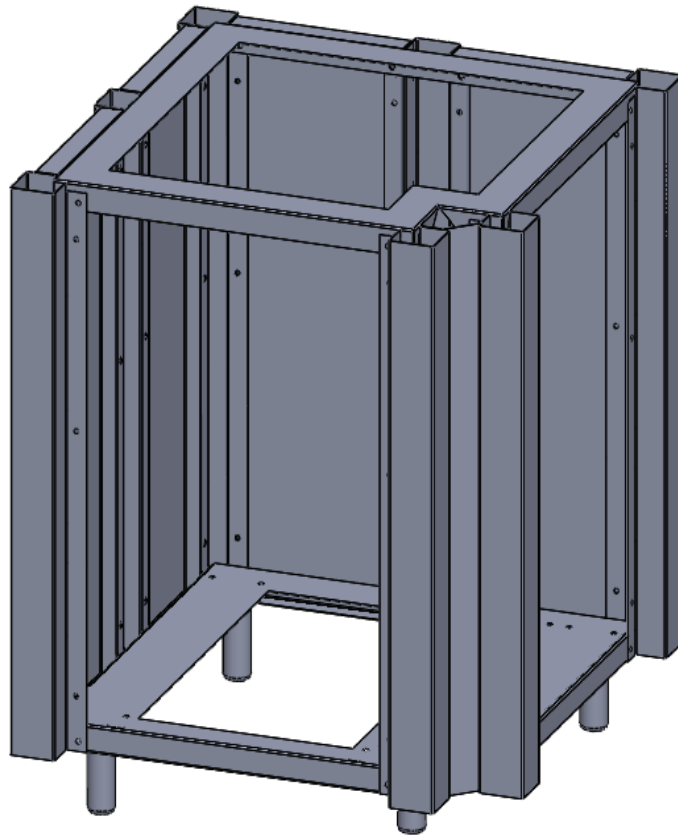
# Sierra<sup>®</sup>

## OUTDOOR DESIGNS

---

### 30 INCH CORNER CABINET

---



---

For questions, problems or missing parts, please contact  
Cardinal Systems, Inc. Customer Service  
8:00 a.m. - 5:00 p.m., EST Monday-Friday

**570-385-4733**

[customerservice@cardinalsystemsinc.com](mailto:customerservice@cardinalsystemsinc.com)

ASSEMBLY INSTRUCTIONS



## Table of Contents

Safety Information .....	3
Warranty .....	4
Pre-Assembly .....	5
Planning the Assembly	
Hardware Included	
Parts	
Assembly .....	8
Appendix A .....	18

### Skill Level

Intermediate

**NOTE:** It is recommended that 2 people assemble the cabinet

## Safety Information



**WARNING:** Do NOT store any type of chemicals in cabinet.



**DANGER:** Please keep children out of the assembly area.



**WARNING:** Heavy objects. Lift with care and/or with a second person.



**WARNING:** Some panels have sharp edges. Please wear appropriate gloves when handling.

### **Warranty Information**

Cardinal Systems, Inc. warrants to the original consumer purchaser that its Sierra Outdoor Designs cabinets are free from manufacturing defects and workmanship for the useful lifetime of the product.

This warranty is not transferable and is for residential applications only. This warranty applies only to cabinets purchased through an authorized Cardinal Systems, Inc. dealer. This warranty is in lieu of all other implied or expressed warranties.

Cardinal Systems, Inc. uses high quality material in our products, however, they are not impervious to rust and are not covered by this warranty, but can be minimized or eliminated with proper care and cleaning. Surface corrosion and discoloration are a natural reaction of stainless steel to environmental factors. Grills, refrigerators, other appliances and faux stone panels carry individual warranty programs through the original equipment manufacturer.

Cardinal Systems, Inc. reserves the right to make changes in design, construction materials and prices as required and as improvements are developed, without obligation to incorporate such changes in cabinetry or related products previously manufactured by Cardinal Systems, Inc. In no event shall Cardinal Systems, Inc. be liable for incidental or consequential damage.

All claims for defective cabinets or components must be submitted to Cardinal Systems, Inc. in writing to [warranty@cardinalsystemsinc.com](mailto:warranty@cardinalsystemsinc.com). Defects alleged to be present must be specified. At the discretion of Cardinal Systems, Inc., we will either repair or replace any defective cabinets or components. An authorized representative of Cardinal Systems, Inc. must review complaints about defective surface finishes. This warranty does not cover scratches or dents to stainless steel surfaces during installation or normal use as it is not defective material or workmanship.

Cardinal Systems, Inc. will not be responsible for any expense involved in removing or reinstalling cabinetry with a defective finish. Cardinal Systems, Inc. reserves the option of either approving field repair or returning the cabinetry or component to the factory for correction. If a field repair is possible, an accurate estimate of the cost must be obtained. No action can be taken without authorization from Cardinal Systems, Inc.

Some states do not allow the exclusion or limitation of incidental or consequential damages, so the above limitations and exclusion may not apply to some purchasers. This warranty gives you specific legal rights. You may have other rights, which vary from state to state.

## Pre-Assembly

### Planning Assembly

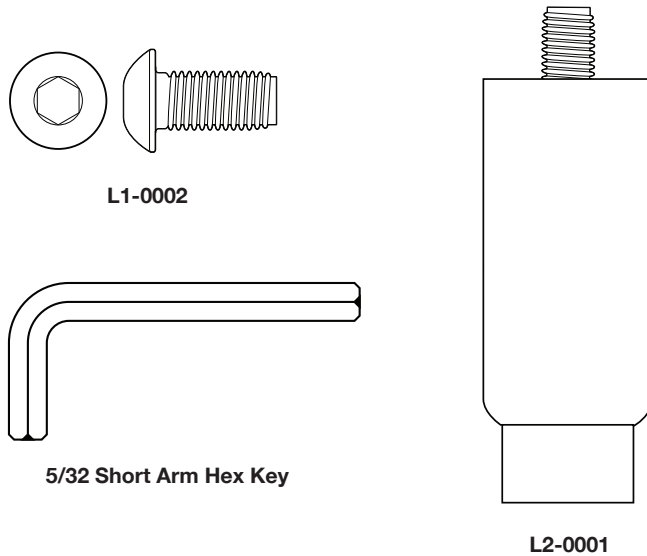
It is recommended that 2 people assemble cabinet.

It is recommended to peel off protective coating in the area where the pieces meet, and leave protective coating on the rest of the areas until you are finished.

### Hardware Included

Part #	Description	Quantity
L1-0002	1/4-20 x 1/2 ButtonSoc Cap Screw	56
L1-0014	5/32 Short Arm Hex key	1
L2-0001	Equip Leg 4" Protruding Stud Hex Toe	4

**NOTE:** Hardware not shown to actual size.



## Pre-Assembly - continued

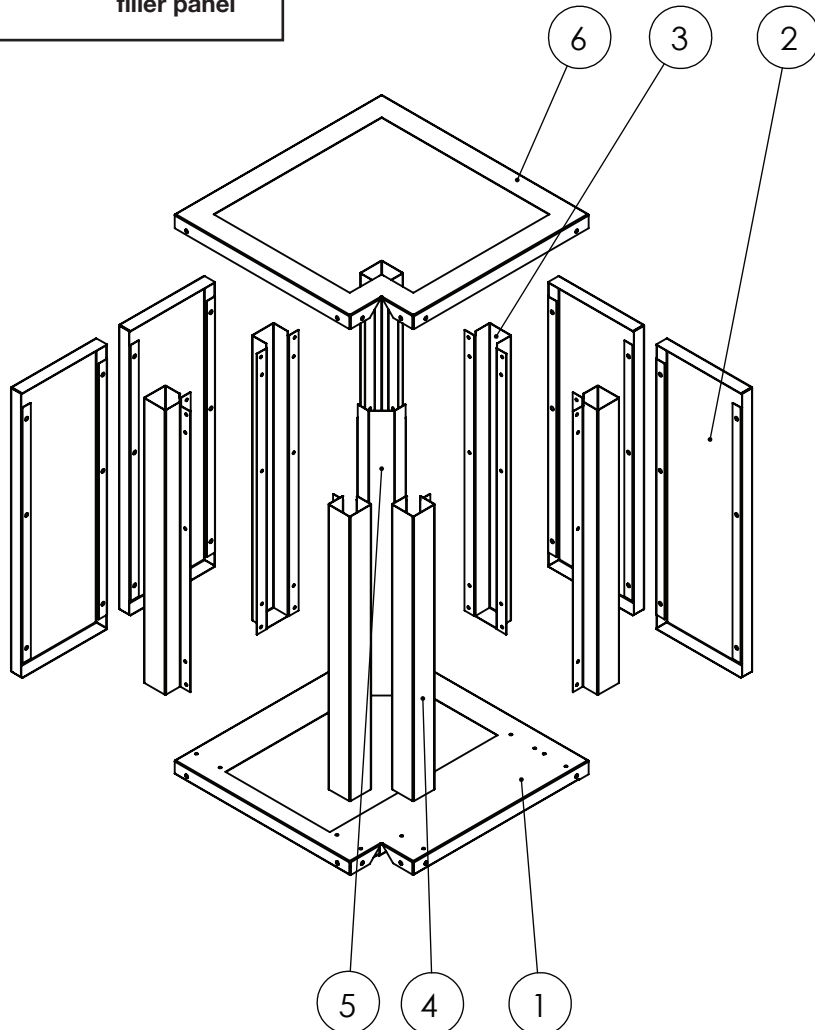
### Parts Included for 30 inch Corner Cabinet

**NOTE:** Parts not shown to actual size. Please check to make sure all parts are accounted for before assembling. Each part is labeled with the part number. It is recommended NOT to remove part number until after it is assembled.

Number	Part #	Description	Quantity
1	BMCR3030ASSY	Bottom Assembly	1
2	BP3026	Back Panel	4
3	CM3626V3	Center Mullion	2
4	CP3626V3	Corner Post	5
5	FPCR3030	Center Panel	1
6	TPCR3030	Top Panel	1
	CC125375	Bracket	1 for each filler panel

### Alternative Parts for 30 inch Corner Cabinet

Number	Part #	Description
2A	BPF3026	Filler Panel
2B	BPNLCC90BSASSY	Brown Stone Back Panel
2C	BPNLCC90GSASSY	Gray Stone Back Panel



## Assembly

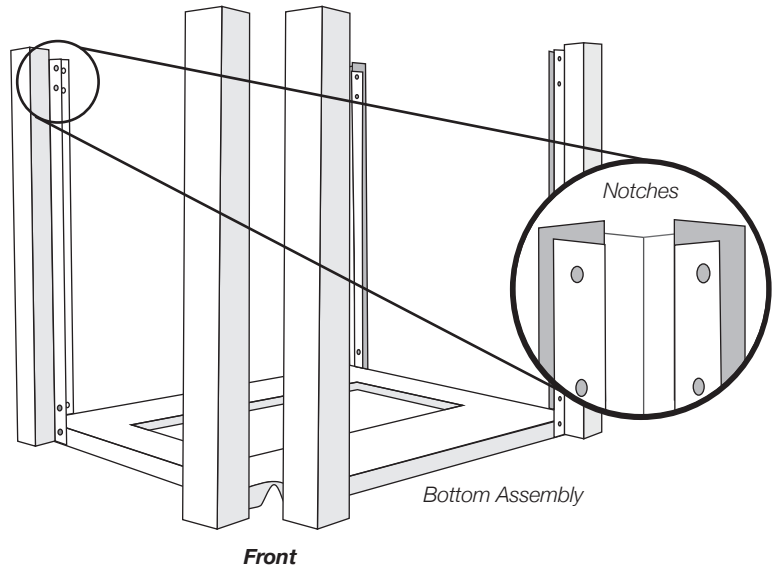
### 1 Attach the corner posts to the bottom assembly.

#### Parts needed for 30 inch Corner Cabinet

1	Bottom Assembly	BMCR3030ASSY
5	Corner post	CP3626V3
10	ButtonSoc Cap screws	L1-0002
	Short Arm Hex Key	

Lay the bottom assembly on a flat surface. Attach the 5 corner posts, positioning the notched part of each post up using 2 ButtonSoc Cap screws for each with the Short Arm Hex key. **(see fig. 1)** Do not tighten all the way.

**Figure 1**



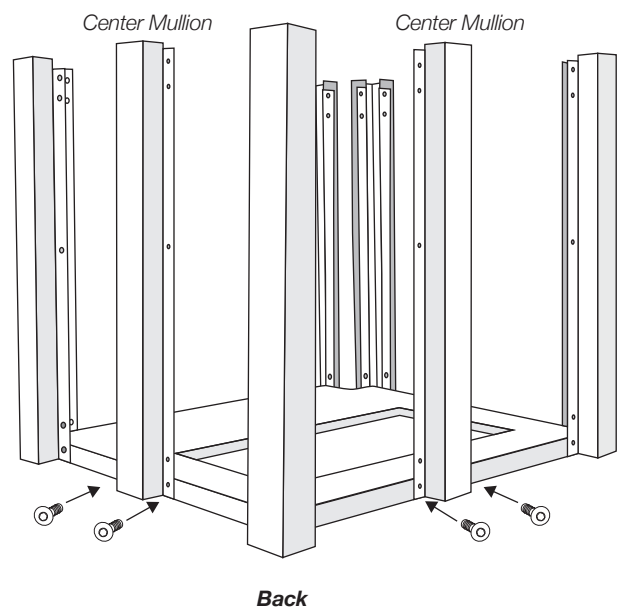
### 2 Attach the center mullions to the bottom panel.

#### Parts needed for 30 inch Corner Cabinet

2	Center Mullions	CM3626V3
4	ButtonSoc Cap screws	L1-0002
	Short Arm Hex Key	

Attach the center mullions on the two back sides to the bottom panel. Again, making sure the notches are at the top of each mullion. Use a Short Arm Hex key and 2 ButtonSoc Cap screws for each one to attach. **(see fig. 2)** Do not tighten all the way.

**Figure 2**



## Assembly - continued

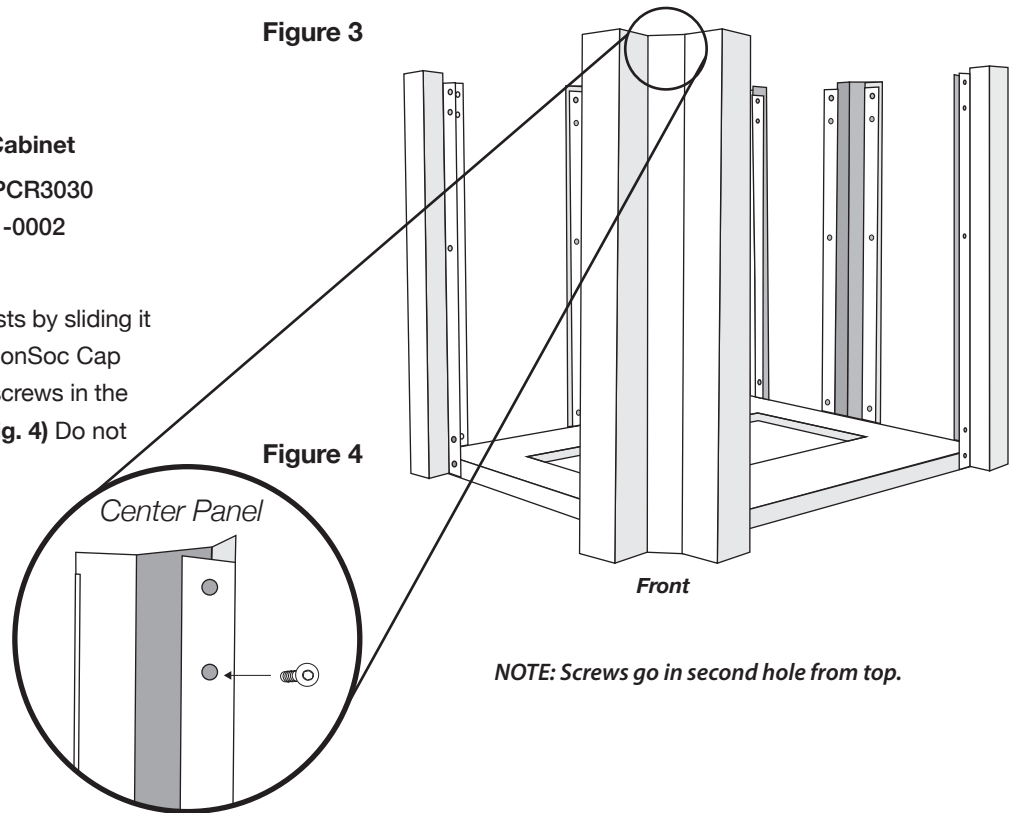
**3**

### Attach the center panel.

#### Parts needed for 30 inch Corner Cabinet

- |   |                      |          |
|---|----------------------|----------|
| 1 | Center panel         | FPCR3030 |
| 4 | ButtonSoc Cap screws | L1-0002  |
|   | Short Arm Hex Key    |          |

Attach center panel to the two front corner posts by sliding it between the two posts. (see fig. 3) Use 2 ButtonSoc Cap screws for the bottom and 2 ButtonSoc Cap screws in the holes second from the top of the posts. (see fig. 4) Do not tighten all the way.



**4**

### Attach the top panel, square all posts, and tighten screws.

#### Parts needed for 30 inch Corner Cabinet

- |    |                      |          |
|----|----------------------|----------|
| 1  | Top panel            | TPCR3030 |
| 14 | ButtonSoc Cap screws | L1-0002  |
| 1  | Metal Square         |          |
|    | Short Arm Hex Key    |          |

Attach the top panel to the posts and center mullions by setting it inside of the posts. (see fig. 5) Use 2 ButtonSoc Cap screws on each post and center mullions for a total of 14 screws.

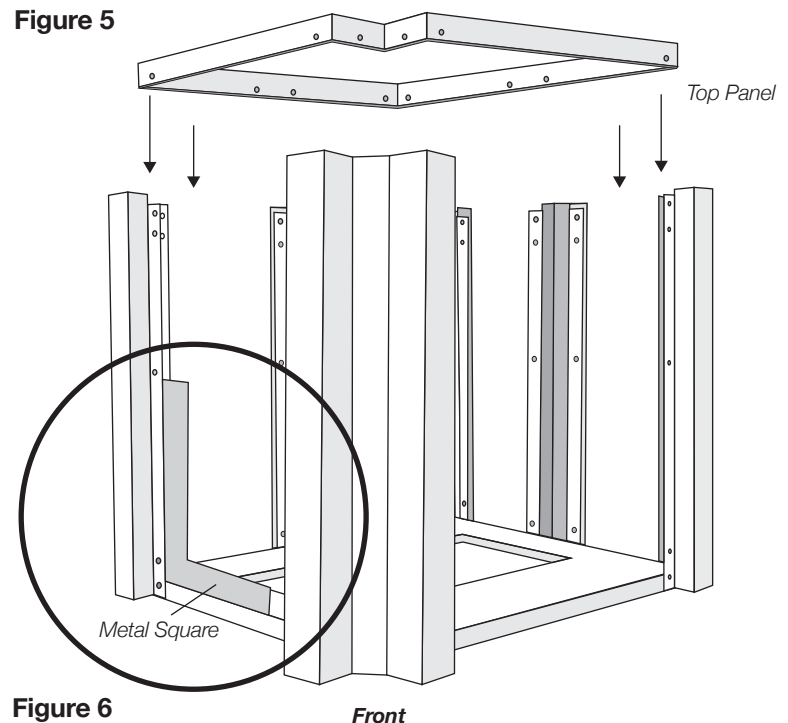
**NOTE: It is recommended to screw in corner posts first then the center mullions.**

On the front two posts that hold the front panel, loosely tighten the 2 outside screws and then insert and tighten the inside ones, then go back and tighten the screws on the outside.

**NOTE: The notch on the top panel will align with the front corner posts and center panel.**

Take a metal square and square up all the posts. As you square up the posts, tighten all the screws.

**Figure 5**





## Assembly - continued

**5**

**Attach the back panels.**

**Parts needed for 30 inch Corner Cabinet**

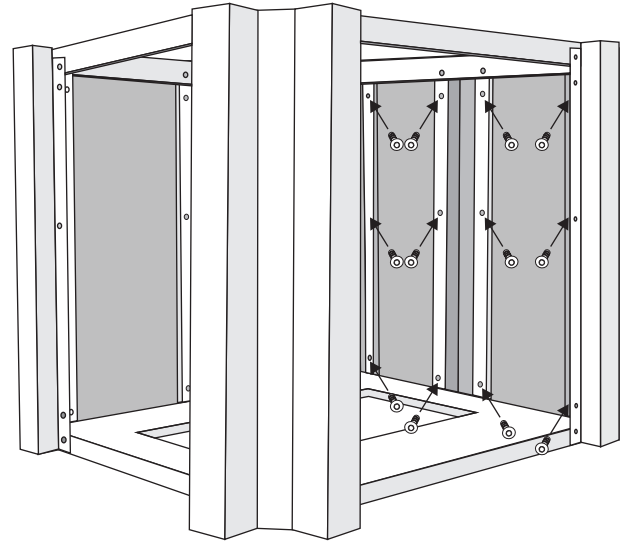
- 4 Back panels BP3026 \*
- 24 ButtonSoc Cap screws L1-0002
- Short Arm Hex Key

To attach the back panels, place the panels between the corner post and center mullion and screw in the ButtonSoc Cap screws on the inside. **(see fig. 7)** **NOTE:** *The panels will only go on one way as the holes match up with the post and panel.*

Each panel will use 6 screws. Once all the screws are in place, go back and tighten them all with the Short Arm Hex key. Repeat for the other panels.

**NOTE:** *If attaching this cabinet to another cabinet go to Appendix A on page 10.*

**Figure 7**



*\* Part numbers are for stainless steel panels. If you have faux stone or filler panels, you can find part numbers on page 6*

*NOTE: Placement of screws are the same for the other 2 back panels.*

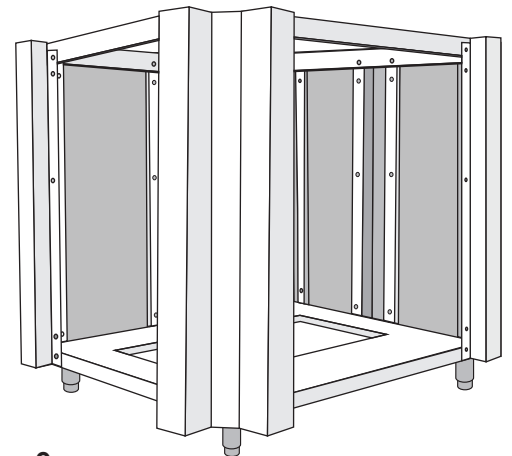
**6**

**Attach the adjustable legs to the bottom.**

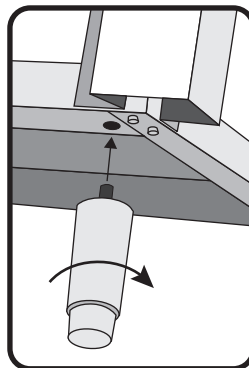
**Parts needed for 30 inch Corner Cabinet**

- 4 Adjustable legs L2-0001

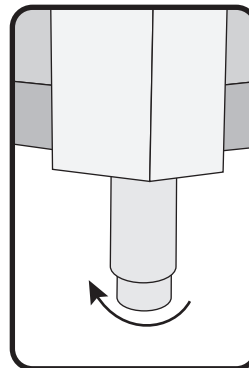
Lean cabinet on its side, if necessary, being careful not to scratch the surface. Screw in 1 of the 4 legs (L2-0001) to the bottom panel into the hole by turning it clockwise. **(see fig. 8)** Repeat for the other 3. Adjust the bottom part of the leg by turning counter clockwise until the unit is level. **(see fig. 9)** **NOTE:** *It is advised to start at the highest point of where the legs touch the surface for leveling.*



**Figure 8**



**Figure 9**



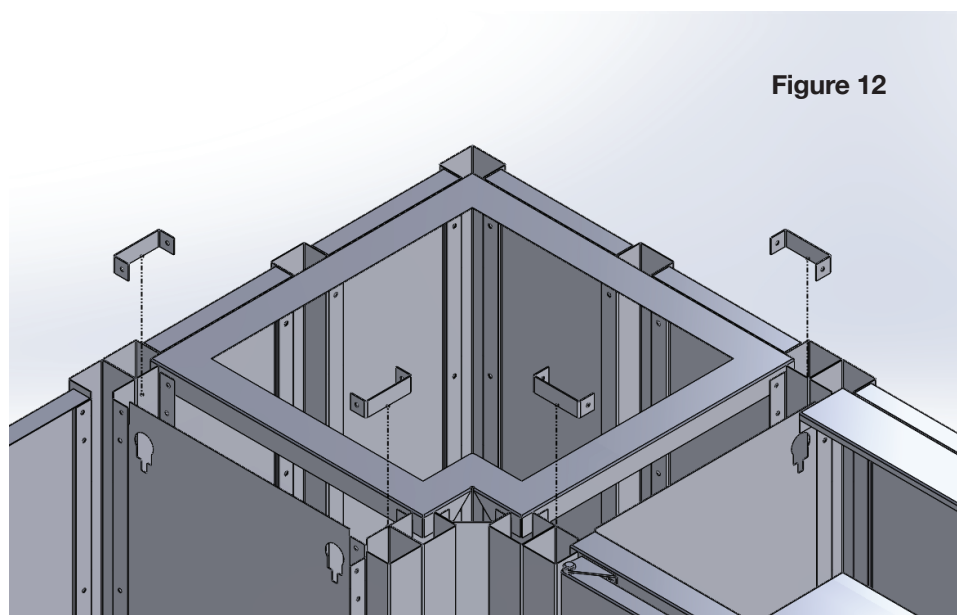
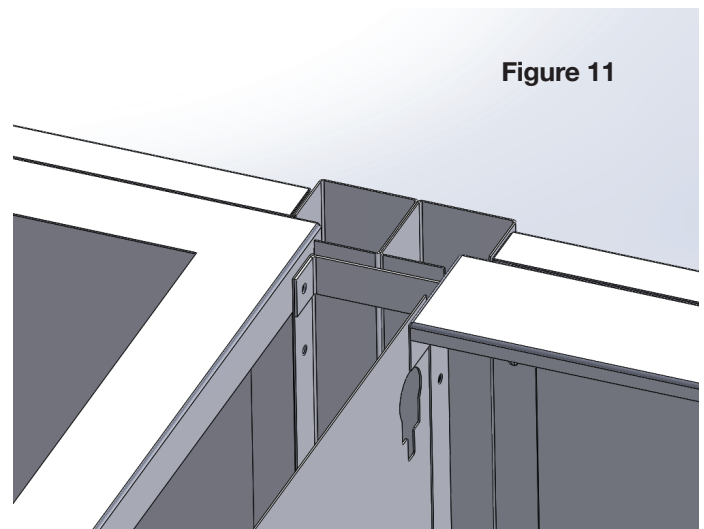
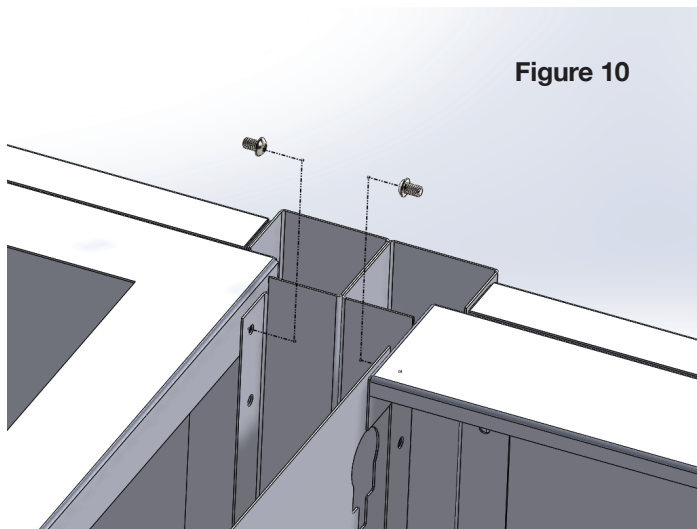
## Appendix A

### Attaching one cabinet to another.

#### Parts needed for 30 inch Corner Cabinet

2 Clips per cabinet      CC125375

To attach one cabinet to another, butt cabinets up to each other. Level the two cabinets. Remove the top two screws. **(Fig. 10)** Take bracket and place down inside the corner posts and line up with screw holes. Using screws that were removed, reinsert them into the bracket and then the cabinet. **(Fig. 11)** Repeat for opposite side. **(Fig. 12)**



***Thank You.** We appreciate the trust and confidence you have in our products. It is our mission to provide quality products for your backyard. Visit us online to see our full line of Sierra products as well as other products Cardinal Systems Inc. has to offer for your backyard entertainment. Thank you for choosing Cardinal Systems.*

***Please retain this manual for future use***

