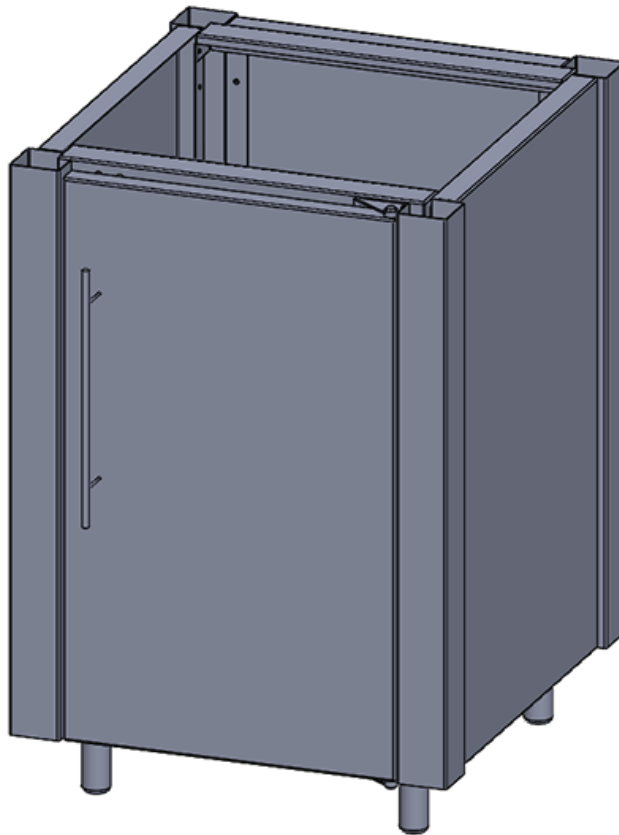




Sierra[®]

OUTDOOR DESIGNS

24 INCH BASE CABINET



For questions, problems or missing parts, please contact
Cardinal Systems, Inc. Customer Service
8:00 a.m. - 5:00 p.m., EST Monday-Friday

570-385-4733

customerservice@cardinalsystemsinc.com

ASSEMBLY INSTRUCTIONS

Table of Contents

Safety Information	3
Warranty	4
Pre-Assembly	5
Planning the Assembly	
Hardware Included	
Parts	
Assembly	8
Appendix A	14

Skill Level

Intermediate

NOTE: It is recommended that 2 people assemble the cabinet.

Safety Information



WARNING: Do NOT store any type of chemicals in cabinet.



DANGER: Please keep children out of the assembly area.



WARNING: Heavy objects. Lift with care and/or with a second person.



WARNING: Some panels have sharp edges. Please wear appropriate gloves when handling.

Warranty Information

Cardinal Systems, Inc. warrants to the original consumer purchaser that its Sierra Outdoor Designs cabinets are free from manufacturing defects and workmanship for the useful lifetime of the product.

This warranty is not transferable and is for residential applications only. This warranty applies only to cabinets purchased through an authorized Cardinal Systems, Inc. dealer. This warranty is in lieu of all other implied or expressed warranties.

Cardinal Systems, Inc. uses high quality material in our products, however, they are not impervious to rust and are not covered by this warranty, but can be minimized or eliminated with proper care and cleaning. Surface corrosion and discoloration are a natural reaction of stainless steel to environmental factors. Grills, refrigerators, other appliances and faux stone panels carry individual warranty programs through the original equipment manufacturer.

Cardinal Systems, Inc. reserves the right to make changes in design, construction materials and prices as required and as improvements are developed, without obligation to incorporate such changes in cabinetry or related products previously manufactured by Cardinal Systems, Inc. In no event shall Cardinal Systems, Inc. be liable for incidental or consequential damage.

All claims for defective cabinets or components must be submitted to Cardinal Systems, Inc. in writing to warranty@cardinalsystemsinc.com. Defects alleged to be present must be specified. At the discretion of Cardinal Systems, Inc., we will either repair or replace any defective cabinets or components. An authorized representative of Cardinal Systems, Inc. must review complaints about defective surface finishes. This warranty does not cover scratches or dents to stainless steel surfaces during installation or normal use as it is not defective material or workmanship.

Cardinal Systems, Inc. will not be responsible for any expense involved in removing or reinstalling cabinetry with a defective finish. Cardinal Systems, Inc. reserves the option of either approving field repair or returning the cabinetry or component to the factory for correction. If a field repair is possible, an accurate estimate of the cost must be obtained. No action can be taken without authorization from Cardinal Systems, Inc.

Some states do not allow the exclusion or limitation of incidental or consequential damages, so the above limitations and exclusion may not apply to some purchasers. This warranty gives you specific legal rights. You may have other rights, which vary from state to state.

Pre-Assembly

Planning Assembly

It is recommended that 2 people assemble cabinet.

It is recommended to peel off protective coating in the area where the pieces meet, and leave protective coating on the rest of the areas until you are finished.

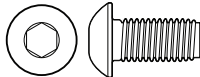
Hardware Included

Part #	Description	Quantity
L1-0001	Ring Magnet	2
L1-0002	1/4-20 x 1/2 ButtonSoc Cap Screw	42
L1-0014	5/32 Short Arm Hex key	1
L1-0010	1/4" Internal Tooth Lockwasher	4
L2-0001	Equip Leg 4" Protruding Stud Hex Toe	4
L2-0002	Pivot Hinge (Left and Right)	1 of each
L2-0003	Door Handle, Bar Pull	1
L1-0004	8-32 x 1 3/4" Button Soc Cap Screw	2
L1-0013	3/32 Short Arm Hex Key	1
L1-0007	6-32 x 3/8 Phillips flat u/c machine screw	2
L1-0008	Thick Nylon Washer	3

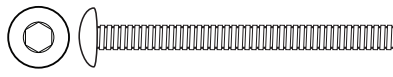
NOTE: Hardware not shown to actual size.



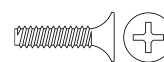
L1-0001



L1-0002



L1-0004



L1-0007



L1-0008



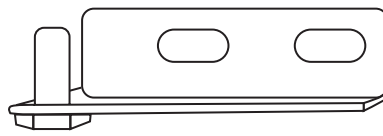
L1-0010



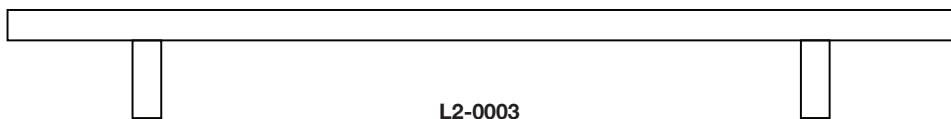
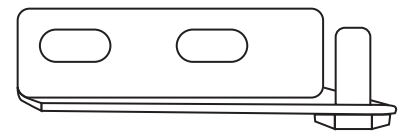
3/32 Short Arm Hex Key



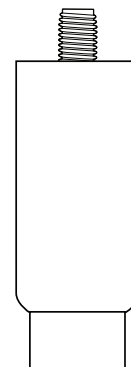
5/32 Short Arm Hex Key



L2-0002



L2-0003



L2-0001

Pre-Assembly - continued

Parts Included for 24 inch Base Cabinet

NOTE: Parts not shown to actual size. Please check to make sure all parts are accounted for before assembling. Each part is labeled with the part number. It is recommended NOT to remove part number until after it is assembled.

Number	Part #	Description	Quantity
1	BM2426ASSY	Bottom Assembly	1
2	SP3626V3	Side Panel	2
3	CP3626V3	Back Corner Post	2
4	CPFL3626V3	Front Corner Post, left	1
5	CPFR3626V3	Front Corner Post, right	1
6	DPLH1830ASSY DPRH1830ASSY	Door Assembly, left or right	1

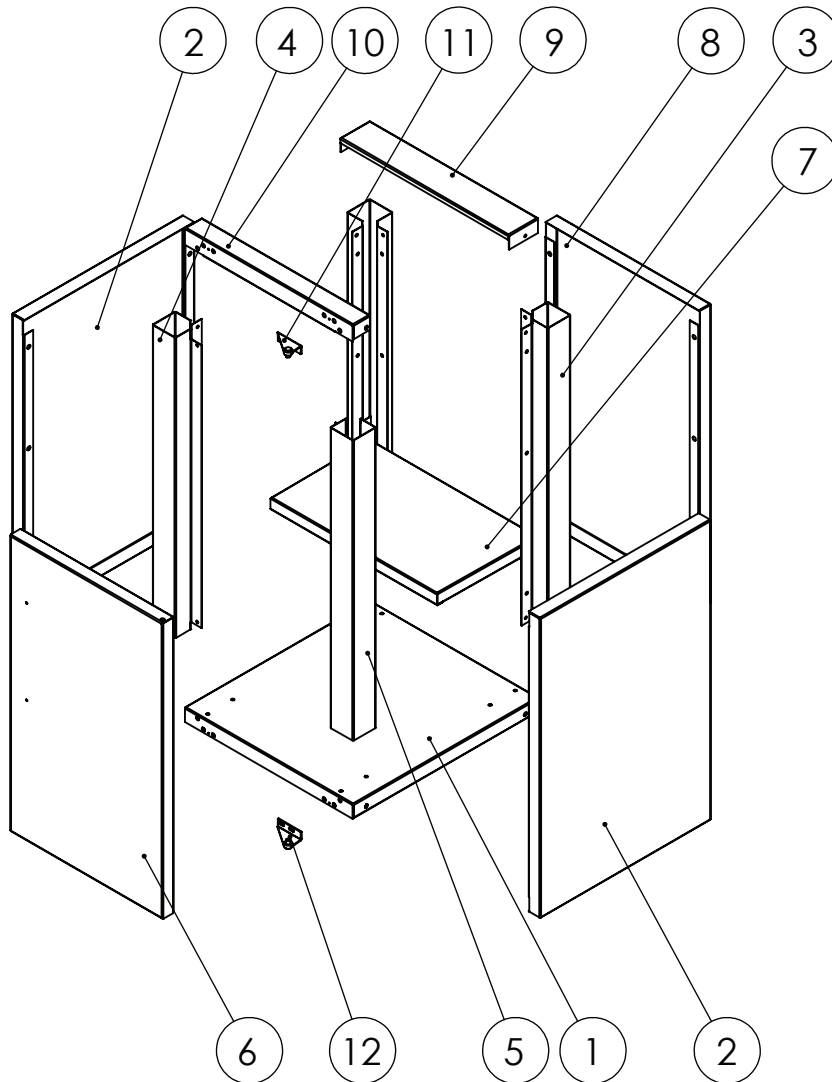
Number	Part #	Description	Quantity
7	SH2426	Shelf	1
8	BP2426	Back Panel	1
9	TPB2426	Top Panel, Back	1
10	TPF2426	Top Panel, Front	1
11	L2-0002	Hinge, Top	1
12	L2-0002	Hinge, Bottom	1
	CC125375	Bracket	1 for each filler panel

Alternative Parts for 24 inch Base Cabinet

Number	Part #	Description
2A	SPF3626V3	Side Panel Filler
2B	SPNLBSASSY	Brown Stone Side Panel
2C	SPNLGSASSY	Gray Stone Side Panel
<hr/>		
8A	BPF2426	Back Panel Filler
8B	BPNL24BSASSY	Brown Stone Back Panel
8C	BPNL24GSASSY	Gray Stone Back Panel

Pre-Assembly - continued

Parts Included for 24 inch Base Cabinet



Assembly

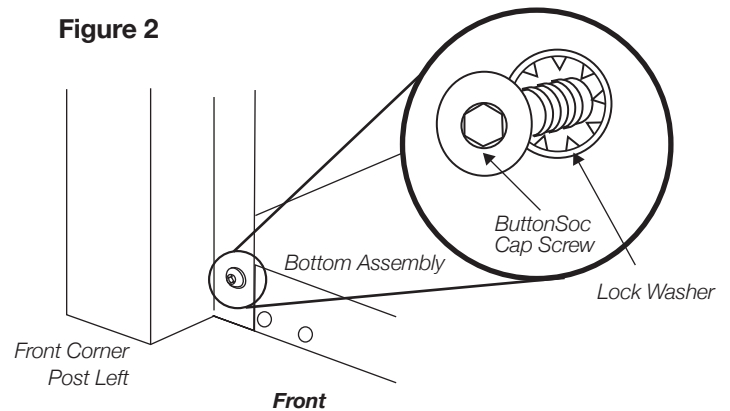
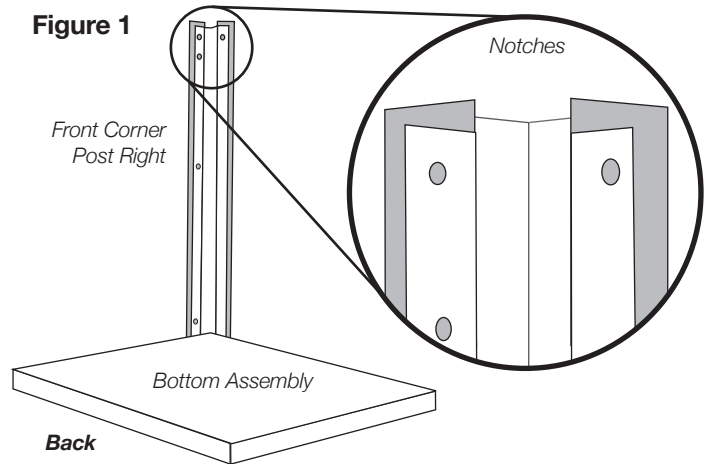
1 Attach the front corner posts to the bottom assembly.

Parts needed for 24 inch Base Cabinet

1	Bottom Assembly	BM2426ASSY
1	Front corner post, right	CPFR3626V3
1	Front corner post, left	CPFL3626V3
2	Lock washers	L1-0010
4	ButtonSoc Cap screws	L1-0002
	Short Arm Hex key	

Lay the bottom assembly on a flat surface. Start with the front right corner post, positioning the notched part of the post up. (see fig. 1) Attach the front corner post to the bottom assembly using 2 ButtonSoc Cap screws and 1 lock washer, (commonly known as a star washer) with the Short Arm Hex key. **NOTE:** Front of the bottom assembly has 3 screw holes on left and right corners. First, insert the front screw with a lock washer. * (see fig. 2) Then insert the side screw with no lock washer. Do not tighten all the way. Repeat for the left front corner post.

*** NOTE:** Lock washer goes only on the front of the post and bottom assembly. Use only a screw for the side of the post and bottom assembly.

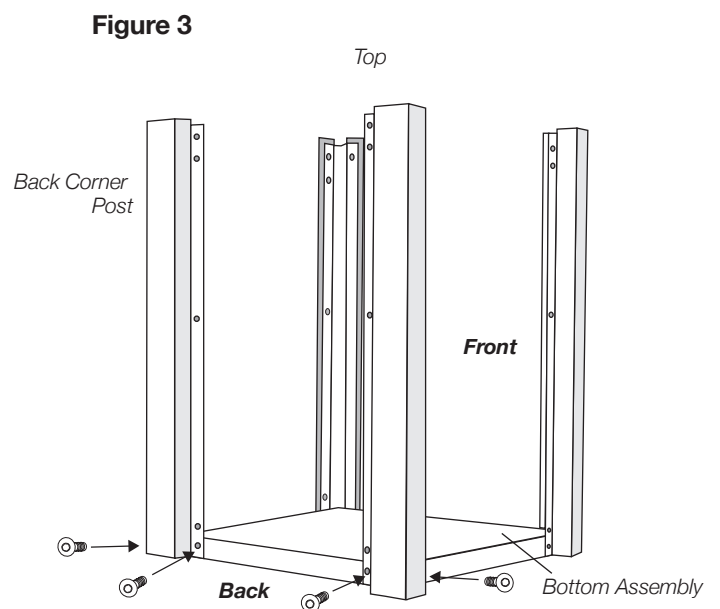


2 Attach the back corner posts to the bottom assembly.

Parts needed for 24 inch Base Cabinet

2	Back corner posts	CP3626V3
4	ButtonSoc Cap screws	L1-0002
	Short Arm Hex key	

Attach a back corner post, notches at the top, with 2 ButtonSoc Cap screws and Short Arm Hex key to the bottom assembly. (see fig. 3) Do not tighten all the way. Then attach the other back corner post with 2 ButtonSoc Cap screws and Short Arm Hex key. Do not tighten all the way.



Assembly - continued

3 Attach the front top panel.

Parts needed for 24 inch Base Cabinet

- 1 Top Panel, Front TPF2426
- 2 Lock Washers L1-0010
- 4 ButtonSoc Cap screws L1-0002
- Short Arm Hex Key

Attach front top panel to both front corner posts (see fig. 4) by placing 2 ButtonSoc Cap screws in the front of each post with 2 lock washers and 2 ButtonSoc Cap screws in the side with NO lock washers. (see fig. 5) Do not tighten all the way.

Figure 4

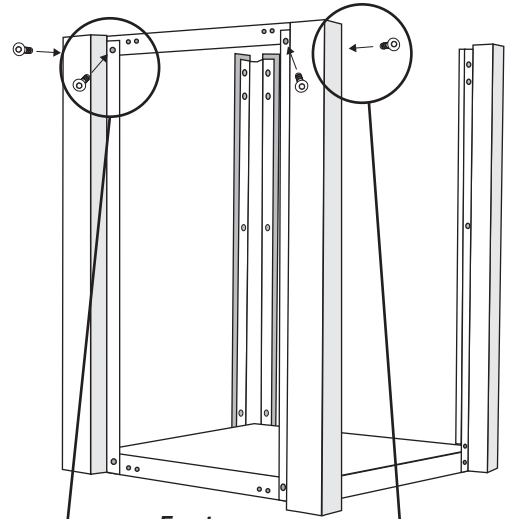
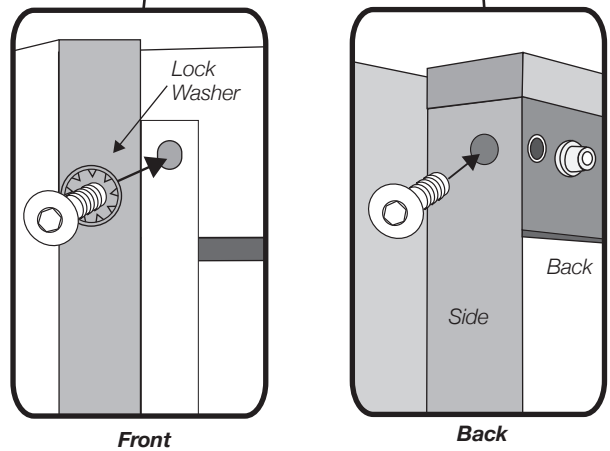


Figure 5



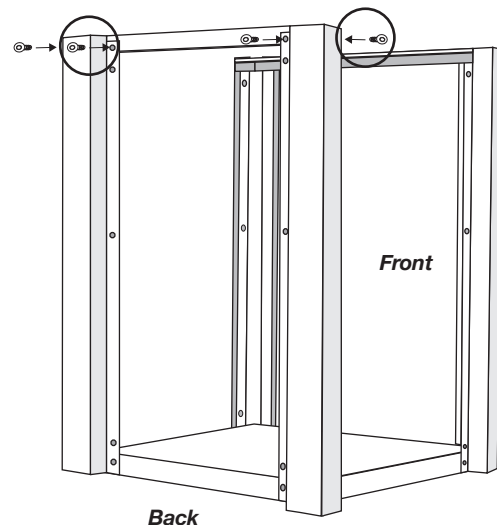
4 Attach the back top panel.

Parts needed for 24 inch Base Cabinet

- 1 Top Panel, Back TPB2426
- 4 ButtonSoc Cap screws L1-0002
- Short Arm Hex Key

Attach back top panel to both back corner posts by placing 2 ButtonSoc Cap screws in the front of each post and 2 ButtonSoc Cap screws in the side. Do not tighten all the way. (see fig. 6)

Figure 6



Assembly - continued

Figure 7

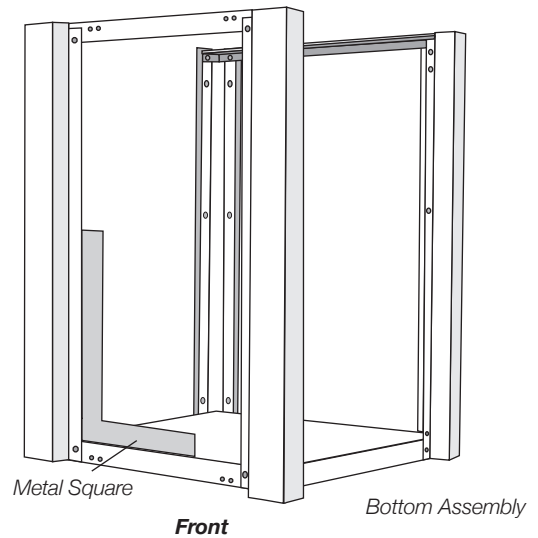
5

Square all the posts and tighten screws.

Parts needed for 24 inch Base Cabinet

- 1 Metal Square
- Short Arm Hex Key

Take a metal square and square up all the posts. As you square up the posts, tighten all the screws. (see fig. 7)



6

Attach the back panel.

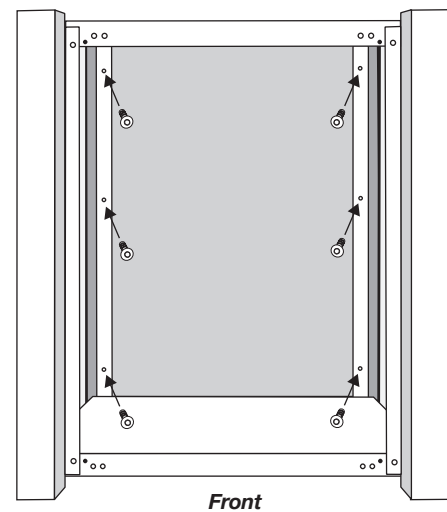
Parts needed for 24 inch Base Cabinet

- 2 Back panels BP2426 *
- 6 ButtonSoc Cap screws L1-0002
- Short Arm Hex Key

To attach the back panel, place the panel between corner posts. Place all the ButtonSoc Cap screws in by hand on the inside of the panel and post. (see fig. 8) **NOTE:** The panel will only go on one way as the holes match up with the post and panel.

The panel will use 6 screws. Once all the screws are in place, go back and tighten them all with the Short Arm Hex key.

Figure 8



** Part numbers are for stainless steel panels. If you have faux stone or filler panels, you can find part numbers on page 6.*

Assembly - continued

7 Attach the side panels.

Parts needed for 24 inch Base Cabinet

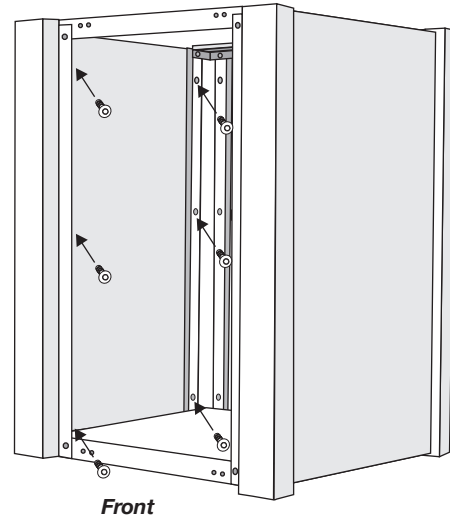
2	Side panels	SP3626V3 *
12	ButtonSoc Cap screws	L1-0002
	Short Arm Hex Key	

To attach side panels, place one of the side panels on one side and screw in all 6 ButtonSoc Cap screws in by hand on the inside of the panel and post. **(see fig. 9)** **NOTE:** *The panels will only go on one way as the holes match up with the post and panel.***

Once all the screws are in place, go back and tighten them all with the Short Arm Hex key. Repeat for the other side panel.

NOTE: If using a filler panel for connecting to another unit, see Appendix A at the end of these instructions.

Figure 9



* Part numbers are for stainless steel panels. If you have faux stone or filler panels, you can find part numbers on page 6.

** If you have a left unit – the finished panel goes to the left. If you have a right unit, the finished panel goes on the right. If you have a center unit, filler panels go on both the right and the left.

8 Attach the adjustable legs to the bottom panel.

Parts needed for 24 inch Base Cabinet

4	Adjustable legs	L2-0001
---	-----------------	---------

Lean cabinet on its side, if necessary, being careful not to scratch the surface. Screw in 1 of the 4 legs to the bottom panel into the hole by turning it clockwise. **(see fig. 10)**

Repeat for the other 3. Adjust the bottom part of the leg by turning counter clockwise until the unit is level. **(see fig. 11)**

NOTE: *It is advised to start at the highest point of where the legs touch the surface for leveling.*

Figure 10

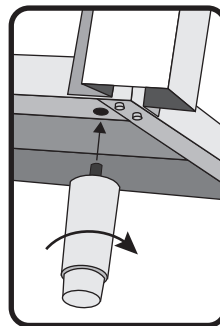
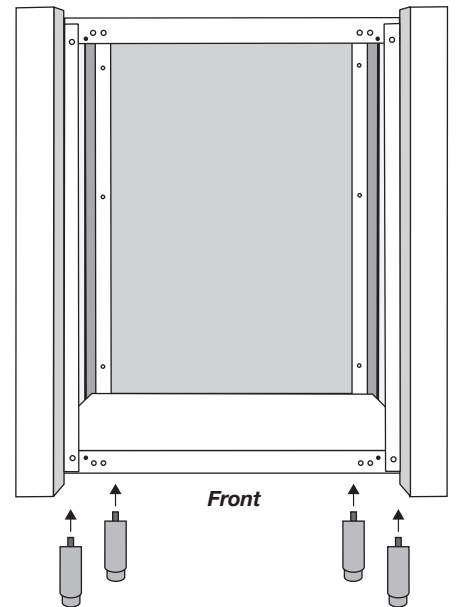
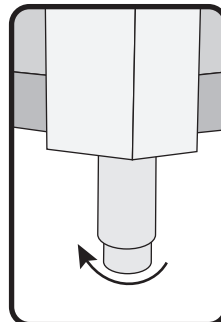


Figure 11



Assembly - continued

9

Attach the shelf.

Parts needed for 24 inch Base Cabinet

- | | | |
|---|-------------------|--------|
| 1 | Shelf | SH2426 |
| | Short Arm Hex Key | |

To attach the shelf you will need to remove the middle screws on the back and side (four corner screws). **(see fig.12A)** Attach the shelf by lining up the shelf holes with the missing screw holes and replace the screws. **(see fig.12B)** Tighten the 2 back ones first then the two side ones.

Figure 12A

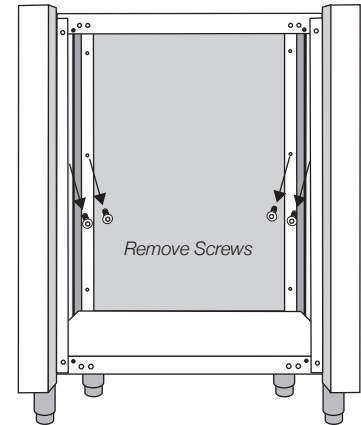
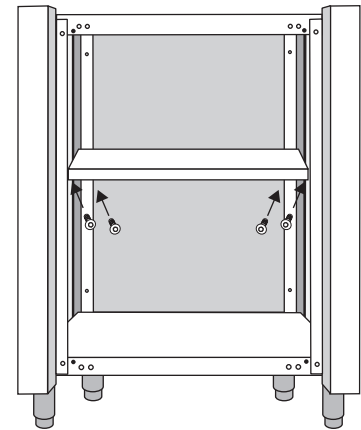


Figure 12B



10

Attach the door hinges and doors.

Parts needed for 24 inch Base Cabinet

- | | | |
|---|----------------------|--------------|
| 1 | Door Assembly | DPLH1230ASSY |
| 1 | Left pivot hinge | L2-0002 |
| 1 | Right pivot hinge | L2-0002 |
| 4 | ButtonSoc Cap screws | L1-0002 |
| | Short Arm Hex Key | |

Before placing the door on the cabinet, make sure cabinet is level at this point. Level cabinet left to right and then front to back. Attach bottom hinge pin to cabinet first. Place bottom of door onto bottom hinge pin. **(see fig.13)** Next, place top hinge in door, then screw hinge into the front of the cabinet. **(see fig. 14)** Adjust door to be parallel to corner posts

Figure 13

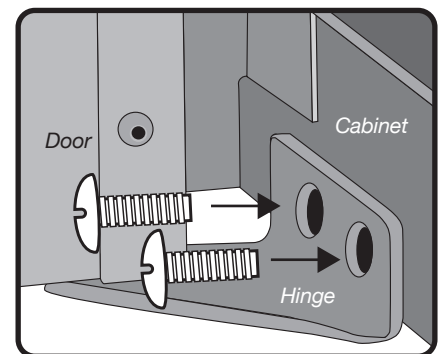
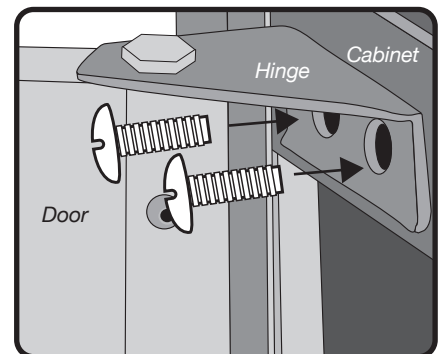


Figure 14



Assembly - continued

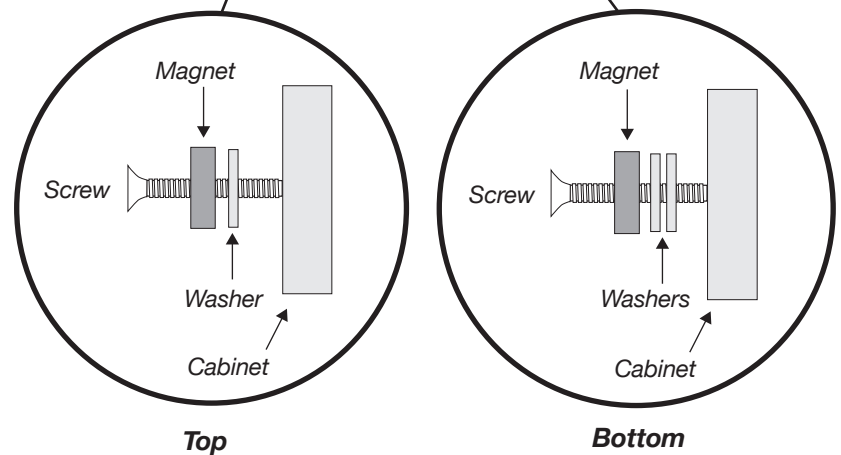
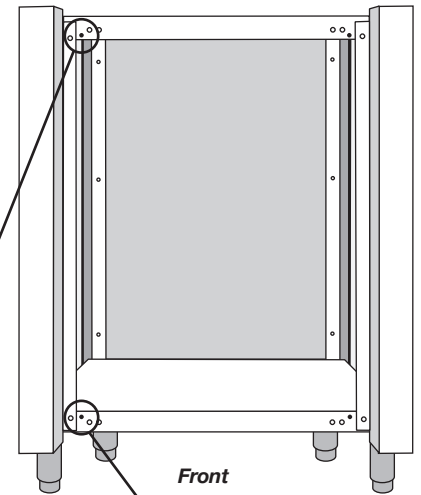
Figure 15

11 Attach magnets and door handle.

Parts needed for 24 inch Base Cabinet

- | | | |
|---|--|---------|
| 2 | Phillips Flat u/c machine screws | L1-0007 |
| 2 | Ring magnets | L1-0001 |
| 3 | Nylon washers | L1-0008 |
| 1 | Door Handles | L2-0003 |
| 2 | 1 $\frac{3}{4}$ " ButtonSoc Cap Screws | L1-0004 |
| | Short Arm Hex Key | |
| | Phillips head screw driver | |

Attach the bottom magnet in the following order; screw, magnet, and 2 washers up against the cabinet with a Phillips head screwdriver. (see fig. 15) For the top magnet, use a screw, magnet, and only 1 washer and tighten with Phillips head screwdriver. Attach the handle to the door using the 8-32 x 1 $\frac{3}{4}$ " ButtonSoc Cap screws.



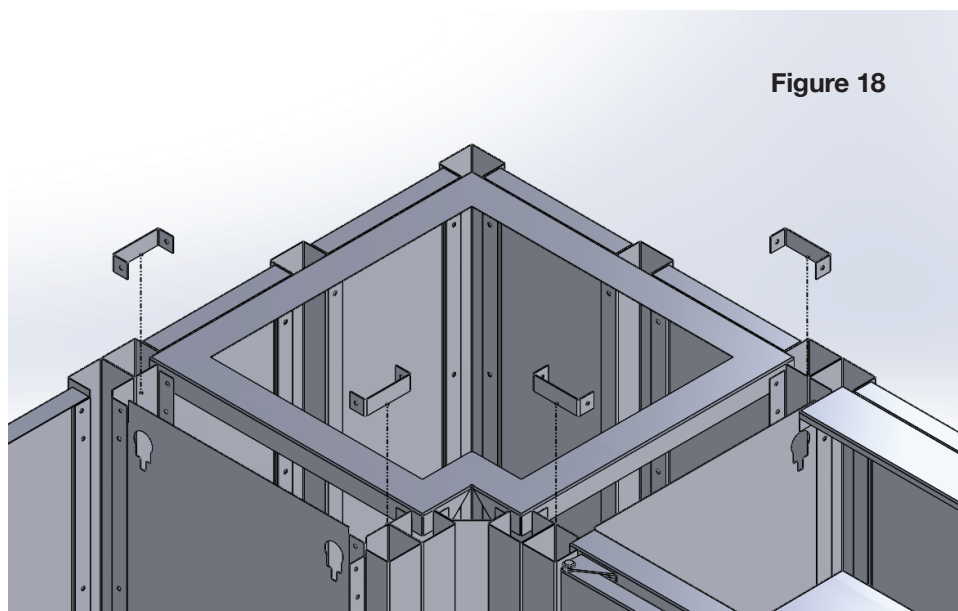
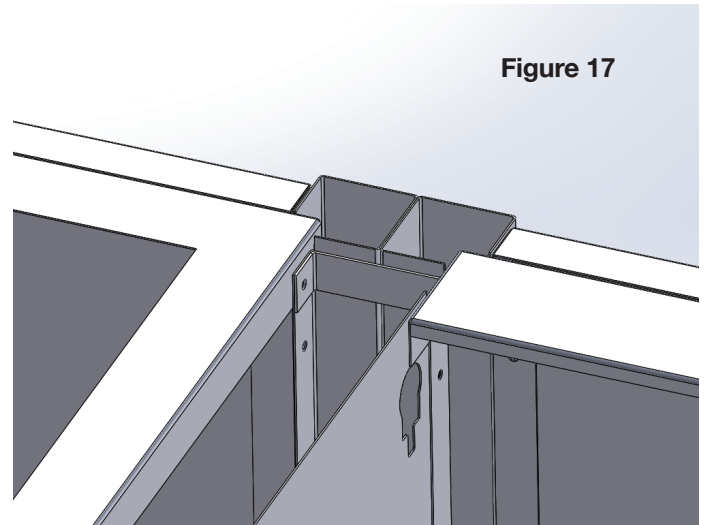
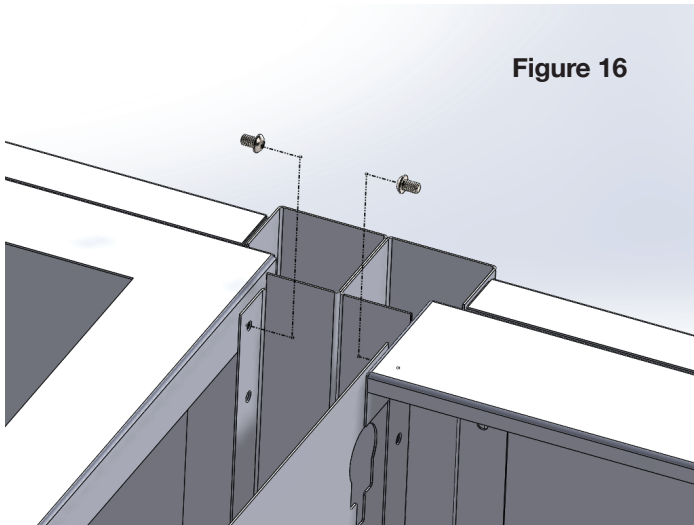
Appendix A

Attaching one cabinet to another.

Parts needed for 24 inch Base Cabinet

2 Clips per cabinet CC125375

To attach one cabinet to another, butt cabinets up to each other. Level the two cabinets. Remove the top two screws. **(Fig. 16)** Take bracket and place down inside the corner posts and line up with screw holes. Using screws that were removed, reinsert them into the bracket and then the cabinet. **(Fig. 17)** Repeat for opposite side. **(Fig. 18)**





***Thank You.** We appreciate the trust and confidence you have in our products. It is our mission to provide quality products for your backyard. Visit us online to see our full line of Sierra products as well as other products Cardinal Systems Inc. has to offer for your backyard entertainment. Thank you for choosing Cardinal Systems.*

Please retain this manual for future use

