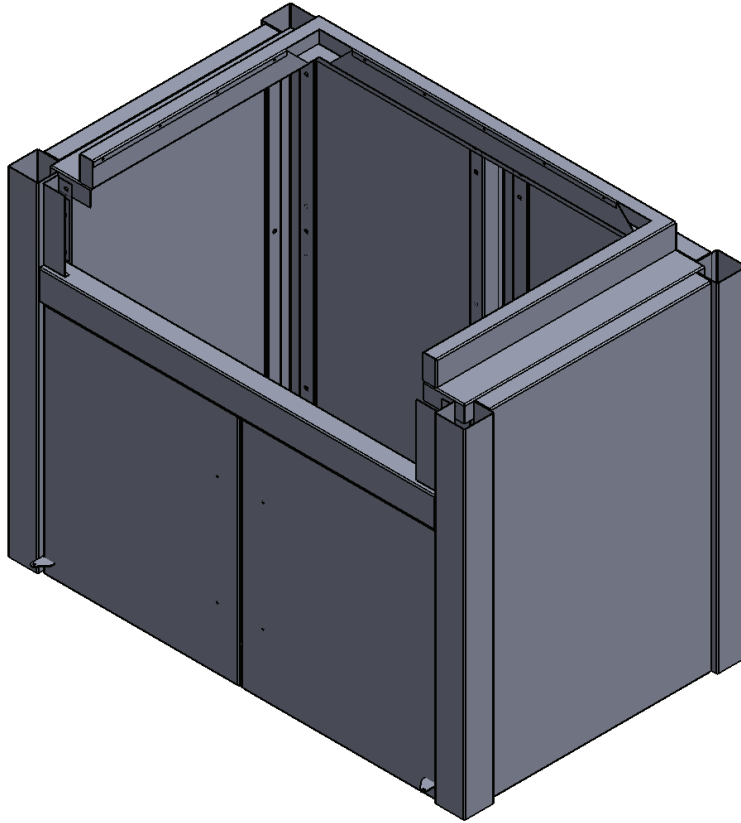




Sierra[®]
OUTDOOR DESIGNS

42 AND 48 INCH GRILL CABINET WITH ADAPTER KIT



For questions, problems or missing parts, please contact
Cardinal Systems, Inc. Customer Service
8:00 a.m. - 5:00 p.m., EST Monday-Friday

570-385-4733

customerservice@cardinalsystemsinc.com

ASSEMBLY INSTRUCTIONS

Table of Contents

Safety Information	3
Warranty	4
Pre-Assembly	5
Planning the Assembly	
Hardware Included	
Parts	
Assembly	10
Appendix A	18

Skill Level

Intermediate

NOTE: It is recommended that 2 people assemble the cabinet

Safety Information



WARNING: Do NOT store any type of chemicals in cabinet.



DANGER: Please keep children out of the assembly area.



WARNING: Heavy objects. Lift with care and/or with a second person.



WARNING: Some panels have sharp edges. Please wear appropriate gloves when handling.



WARNING: Per ANSI Z21.58 Sections 4.2.8-9, this cabinet is designed to hold (1) 20 lb (9.1 kg) liquid petroleum (LP) gas tank. Storage of additional tanks or use of a larger capacity tank is PROHIBITED. Shelf installation is required for compliance.

Warranty Information

Cardinal Systems, Inc. warrants to the original consumer purchaser that its Sierra Outdoor Designs cabinets are free from manufacturing defects and workmanship for the useful lifetime of the product.

This warranty is not transferable and is for residential applications only. This warranty applies only to cabinets purchased through an authorized Cardinal Systems, Inc. dealer. This warranty is in lieu of all other implied or expressed warranties.

Cardinal Systems, Inc. uses high quality material in our products, however, they are not impervious to rust and are not covered by this warranty, but can be minimized or eliminated with proper care and cleaning. Surface corrosion and discoloration are a natural reaction of stainless steel to environmental factors. Grills, refrigerators, other appliances and faux stone panels carry individual warranty programs through the original equipment manufacturer.

Cardinal Systems, Inc. reserves the right to make changes in design, construction materials and prices as required and as improvements are developed, without obligation to incorporate such changes in cabinetry or related products previously manufactured by Cardinal Systems, Inc. In no event shall Cardinal Systems, Inc. be liable for incidental or consequential damage.

All claims for defective cabinets or components must be submitted to Cardinal Systems, Inc. in writing to warranty@cardinalsystemsinc.com. Defects alleged to be present must be specified. At the discretion of Cardinal Systems, Inc., we will either repair or replace any defective cabinets or components. An authorized representative of Cardinal Systems, Inc. must review complaints about defective surface finishes. This warranty does not cover scratches or dents to stainless steel surfaces during installation or normal use as it is not defective material or workmanship.

Cardinal Systems, Inc. will not be responsible for any expense involved in removing or reinstalling cabinetry with a defective finish. Cardinal Systems, Inc. reserves the option of either approving field repair or returning the cabinetry or component to the factory for correction. If a field repair is possible, an accurate estimate of the cost must be obtained. No action can be taken without authorization from Cardinal Systems, Inc.

Some states do not allow the exclusion or limitation of incidental or consequential damages, so the above limitations and exclusion may not apply to some purchasers. This warranty gives you specific legal rights. You may have other rights, which vary from state to state.

Pre-Assembly

Planning Assembly

It is recommended that 2 people assemble cabinet.

NOTE: Before starting, please make sure you have the proper adapter kit for your grill.

It is recommended to peel off protective coating in the area where the pieces meet, and leave protective coating on the rest of the areas until you are finished.

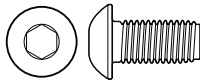
Hardware Included

Part #	Description	Quantity
L1-0001	Ring Magnet	4
L1-0002	1/4-20 x 1/2 ButtonSoc Cap Screw	50
L1-0014	5/32 Short Arm Hex key	1
L1-0010	1/4" Internal Tooth Lock Washer	4
L2-0001	Equip Leg 4" Protruding Stud Hex Toe	4
L2-0002	Pivot Hinge (Left and Right)	1 of each
L2-0003	Door Handle, Bar Pull	2
L1-0004	8-32 x 1 3/4" Button Soc Cap Screw	4
L1-0013	3/32 Short Arm Hex Key	1
L1-0007	6-32 x 3/8 Phillips flat u/c machine screw	4
L1-0008	Thick Nylon Washer	2

NOTE: Hardware not shown to actual size.



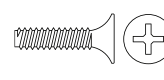
L1-0001



L1-0002



L1-0004



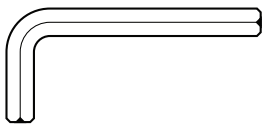
L1-0007



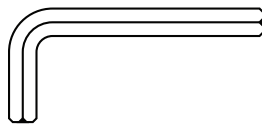
L1-0008



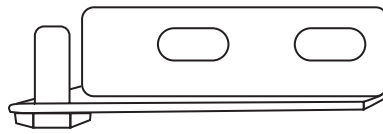
L1-0010



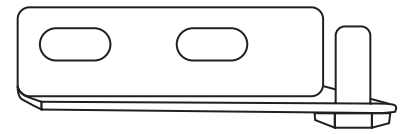
3/32 Short Arm Hex Key



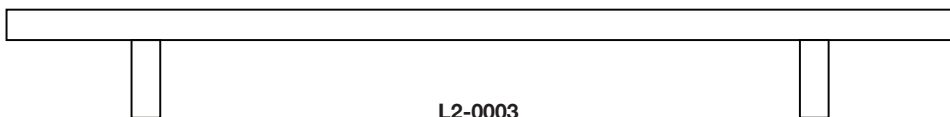
5/32 Short Arm Hex Key



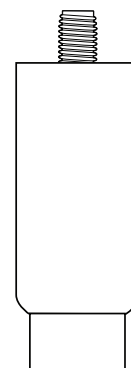
L2-0001



L2-0002



L2-0003



L2-0001

Pre-Assembly - continued

Parts Included for 42 inch Grill Cabinet

NOTE: Parts not shown to actual size. Please check to make sure all parts are accounted for before assembling. Each part is labeled with the part number. It is recommended NOT to remove part number until after it is assembled.

Number	Part #	Description	Quantity
1	BM4226ASSY	Bottom Assembly	1
2	SP3626V3	Side Panel	2
3	CM3626V3	Center Mullion	1
4	CP3626V3	Back Corner Post	2
5	CPFL4226V6	Front Corner Post, left	1
6	CPFR4226V6	Front Corner Post, right	1
7	DPLH1821ASSY	Door Assembly, left	1
8	DPRH1821ASSY	Door Assembly, right	1
12	BP4226V6	Back Panel	2
13	TCM4226V6	Cross Member Assembly	1
14	SHGR4226-1	Shelf, top	1
15	SHGR4226-2	Shelf, left	1
16	SHGR4226-2	Shelf, right	1
17	L2-0002	Hinge, left	1
18	L2-0002	Hinge, right	1
	CC123375	Bracket	1 for each filler panel

Grill Adapter Kit			
Number	Part #	Description	Quantity
9	FPFR4226V6-*	Side Filler, right	1
10	FPFL4226V6-*	Side Filler, left	1
11	GKA3242ASSY	Grill Support	1
* Part number will change according to the adapter kit you purchase			

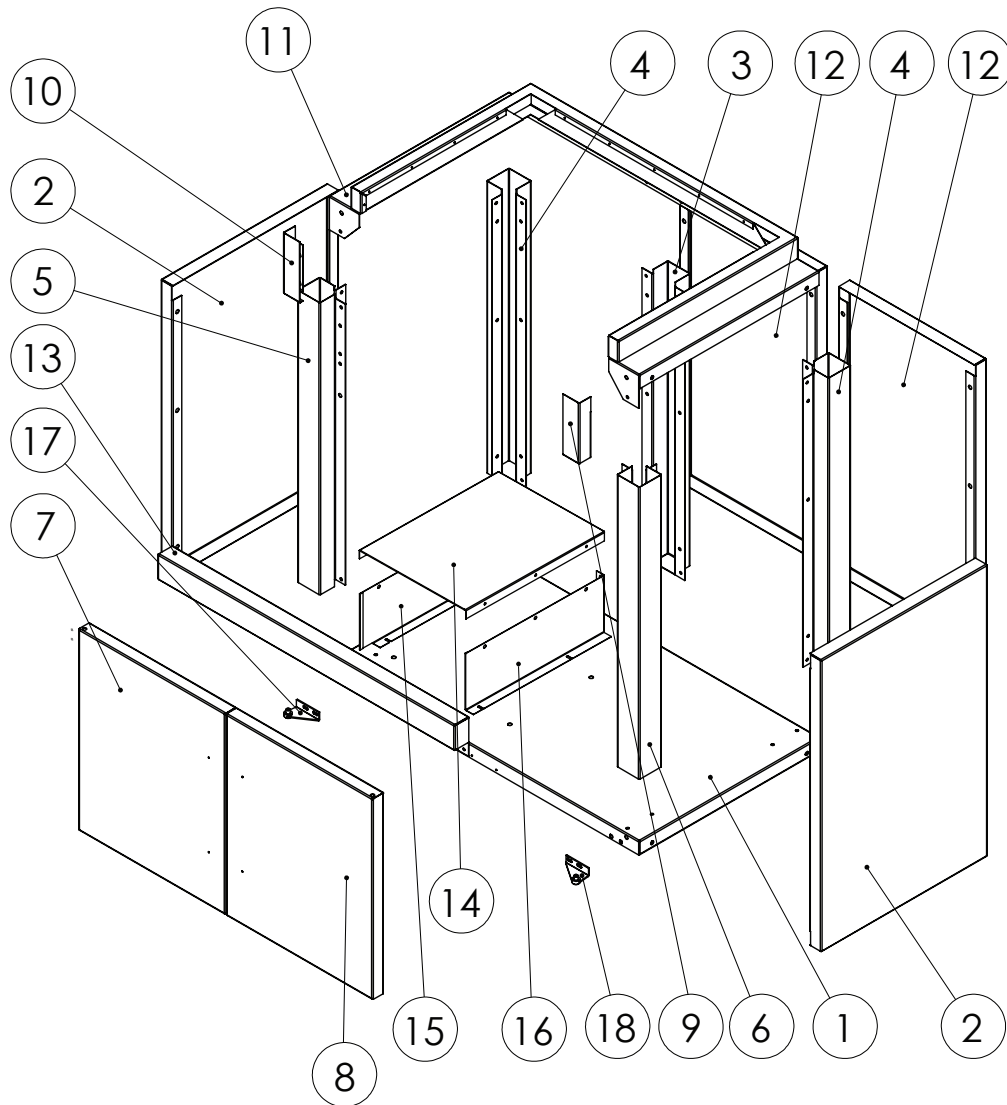
Hardware Kit for Grill Support		
Part #	Description	Quantity
L1-0002	1/4-20 x 1/2 Button Soc Cap Screw	14
L1-0014	5/32 Short Arm Hex key	1
Optional:	PTHASSY	Propane Tank Assembly

Alternative Parts for 42 inch Grill Cabinet

Number	Part #	Description
2A	SPF3626V3	Side Panel Filler
2B	SPNLBSASSY	Brown Stone Side Panel
2C	SPNLGSASSY	Gray Stone Side Panel
<hr/>		
12A	BPNL42BSASSY	Brown Stone Back Panel
12B	BPNL42GSASSY	Gray Stone Back Panel

Pre-Assembly - continued

Parts Included for 42 inch Grill Cabinet - continued



Pre-Assembly - continued

Parts Included for 48 inch Grill Cabinet

NOTE: Parts not shown to actual size. Please check to make sure all parts are accounted for before assembling. Each part is labeled with the part number. It is recommended NOT to remove part number until after it is assembled.

Number	Part #	Description	Quantity
1	BM4826ASSY	Bottom Assembly	1
2	SP3626V3	Side Panel	2
3	CM3626V3	Center Mullion	1
4	CP3626V3	Back Corner Post	2
5	CPFL4226V6	Front Corner Post, left	1
6	CPFR4226V6	Front Corner Post, right	1
7	DPLH2121ASSY	Door Assembly, left	1
8	DPRH2121ASSY	Door Assembly, right	1
12	BP4826	Back Panel	2
13	TCM4826	Cross Member Assembly	1
14	SHGR4826-1	Shelf, top	1
15	SHGR4226-2	Shelf, left	1
16	SHGR4226-2	Shelf, right	1
17	L2-0002	Hinge, left	1
18	L2-0002	Hinge, right	1
	CC123375	Bracket	1 for each filler panel

Grill Adapter Kit			
Number	Part #	Description	Quantity
9	FPFR4226V6-*	Side Filler, right	1
10	FPFL4226V6-*	Side Filler, left	1
11	GKA3248ASSY	Grill Support	1
* Part number will change according to the adapter kit you purchase			

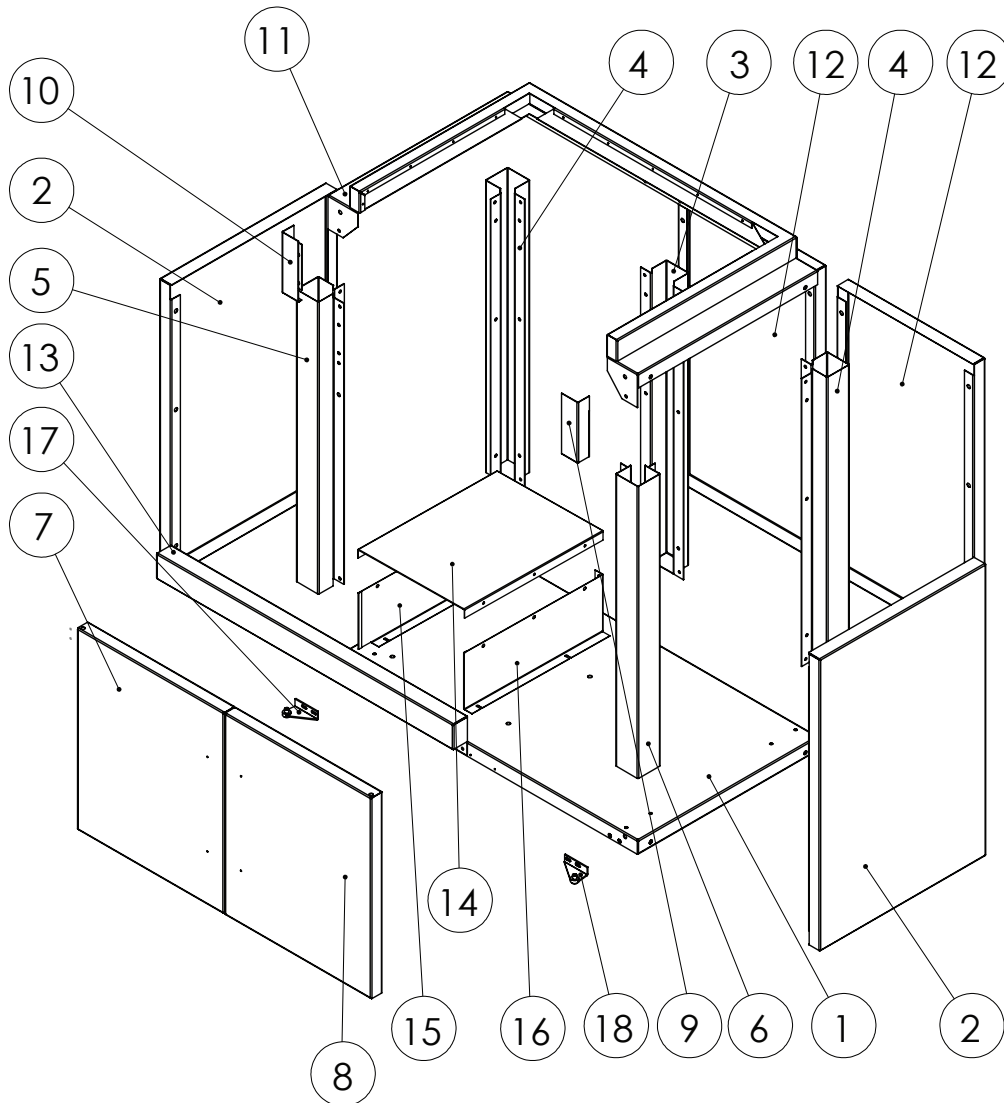
Hardware Kit for Grill Support		
Part #	Description	Quantity
L1-0002	¼-20 x ½ Button Soc Cap Screw	14
L1-0014	5/32 Short Arm Hex key	1
Optional:	PTHASSY	Propane Tank Assembly

Alternative Parts for 48 inch Grill Cabinet

Number	Part #	Description
2A	SPF3626V3	Side Panel Filler
2B	SPNLBSASSY	Brown Stone Side Panel
2C	SPNLGSASSY	Gray Stone Side Panel
<hr/>		
12A	BPNL48BSASSY	Brown Stone Back Panel
12B	BPNL48GSASSY	Gray Stone Back Panel

Pre-Assembly - continued

Parts Included for 48 inch Grill Cabinet



Assembly

1

Attach the front corner posts to the bottom assembly.

Parts needed for 42 inch Grill Cabinet

- 1 Bottom Assembly BM4226ASSY
- 1 Front corner post, right CPFR4226V6
- 1 Front corner post, left CPFL4226V6
- 2 Lock washers L1-0010
- 4 ButtonSoc Cap screws L1-0002
- Short Arm Hex Key

Parts needed for 48 inch Grill Cabinet

- 1 Bottom Assembly BM4826ASSY
- 1 Front corner post, right CPFR4226V6
- 1 Front corner post, left CPFL4226V6
- 2 Lock washers L1-0010
- 4 ButtonSoc Cap screws L1-0002
- Short Arm Hex Key

Lay the bottom assembly on a flat surface. Start with the front right corner post, positioning the notched part of the post up. **(see fig. 1)** Attach the front right corner post to the bottom assembly using 2 ButtonSoc Cap screws and 1 lock washer, (commonly known as a star washer), with the Short Arm Hex key. First insert the front screw with a lock washer. ***(see fig. 2)** Then insert the side screw with no lock washer. Do not tighten all the way. Repeat for the left front corner post.

Figure 1

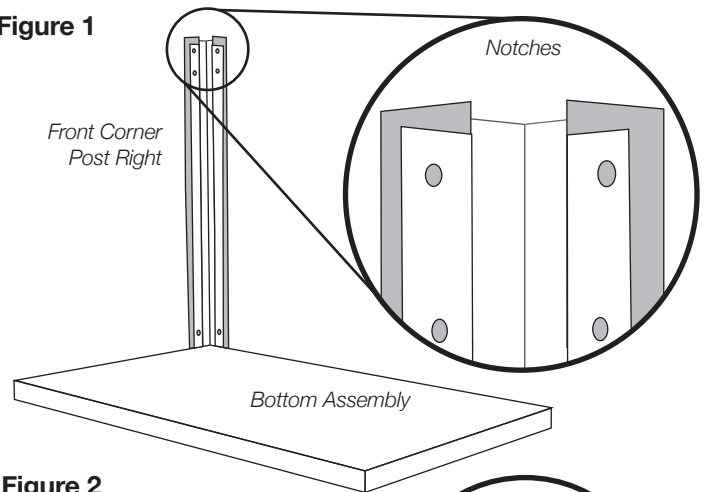
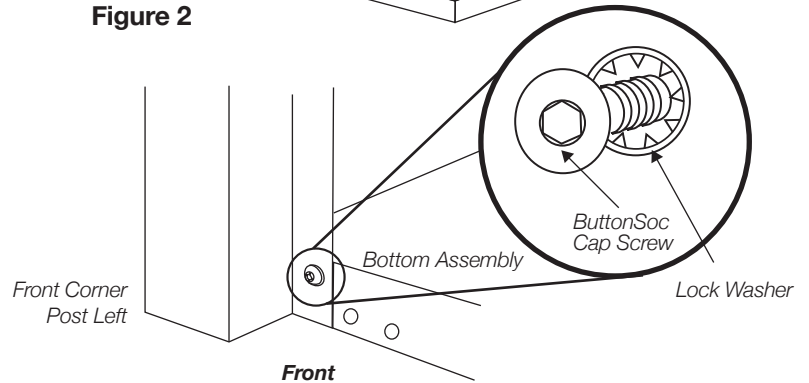


Figure 2



*** NOTE: Lock washer goes only on the front of the post and bottom assembly. Use only a screw for the side of the post and bottom assembly.**

2

Attach the back corner posts to the bottom assembly.

Parts needed for 42 inch Grill Cabinet

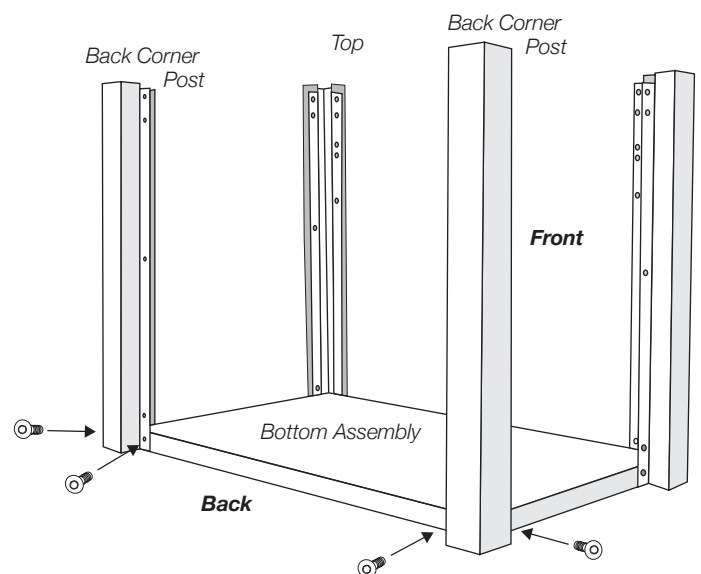
- 2 Back corner posts CP3626V3
- 4 ButtonSoc Cap screws L1-0002
- Short Arm Hex Key

Parts needed for 48 inch Grill Cabinet

- 2 Back corner posts CP3626V3
- 4 ButtonSoc Cap screws L1-0002
- Short Arm Hex Key

Attach a back corner post, notches at the top, with 2 Cap screws and Short Arm Hex key to the bottom assembly. **(see fig. 3)** Do not tighten all the way. Then attach the other back corner post with 2 ButtonSoc Cap screws and Short Arm Hex key. Do not tighten all the way.

Figure 3



Assembly - continued

3 Attach the center mullion to the bottom panel.

Parts needed for 42 inch Grill Cabinet

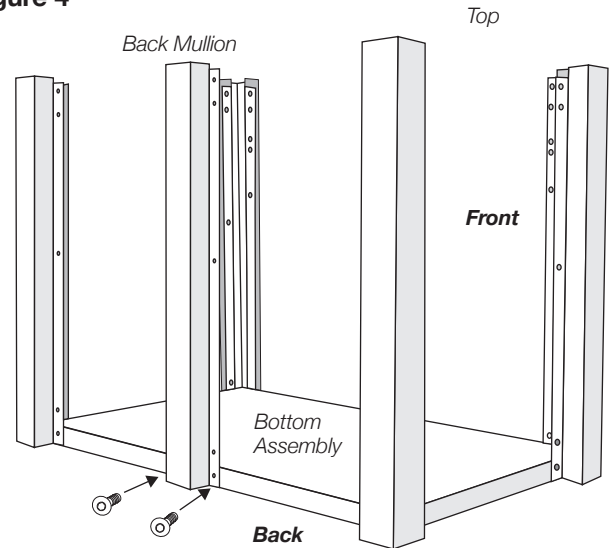
- 1 Center Mullion CM3626V3
- 2 ButtonSoc Cap screws L1-0002
- Short Arm Hex Key

Parts needed for 48 inch Grill Cabinet

- 1 Center Mullion CM3626V3
- 2 ButtonSoc Cap screws L1-0002
- Short Arm Hex Key

Attach the center mullion to the bottom panel. Again, making sure the notches are at the top of the mullion. Use a Short Arm Hex key and the 2 ButtonSoc Cap screws to attach. (see fig. 4) Do not tighten all the way.

Figure 4



4 Attach the cross member assembly to both front corner posts.

Parts needed for 42 inch Grill Cabinet

- 1 Cross Member Assembly TCM4226V6
- 4 ButtonSoc Cap screws L1-0002
- Short Arm Hex Key

Parts needed for 48 inch Grill Cabinet

- 1 Cross Member Assembly TCM4826
- 4 ButtonSoc Cap screws L1-0002
- Short Arm Hex Key

Attach front cross member assembly to both front corner posts (see fig. 5) by placing 2 ButtonSoc Cap screws in the front with 2 lock washers and 2 ButtonSoc Cap screws in the back with NO lock washers. (see fig. 6) Do not tighten all the way.

Figure 5

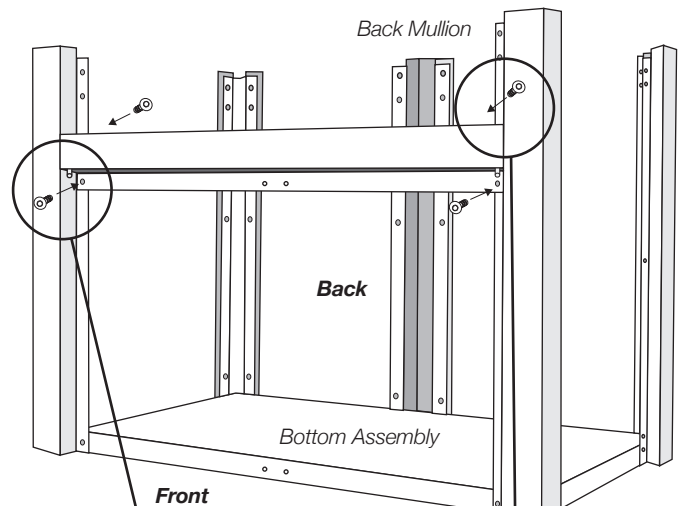
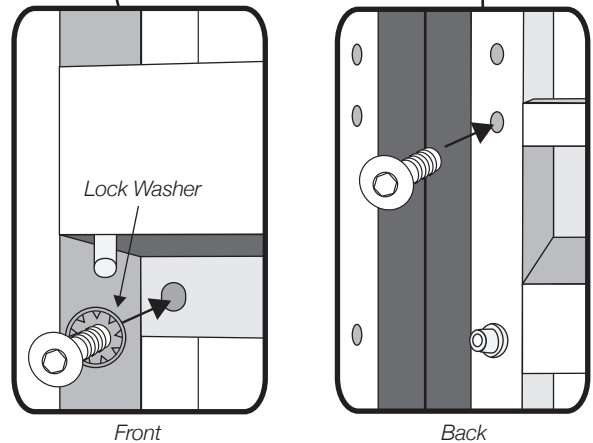


Figure 6



Assembly - continued

5

Attaching the grill adapter.

Parts needed for 42 inch Grill Cabinet

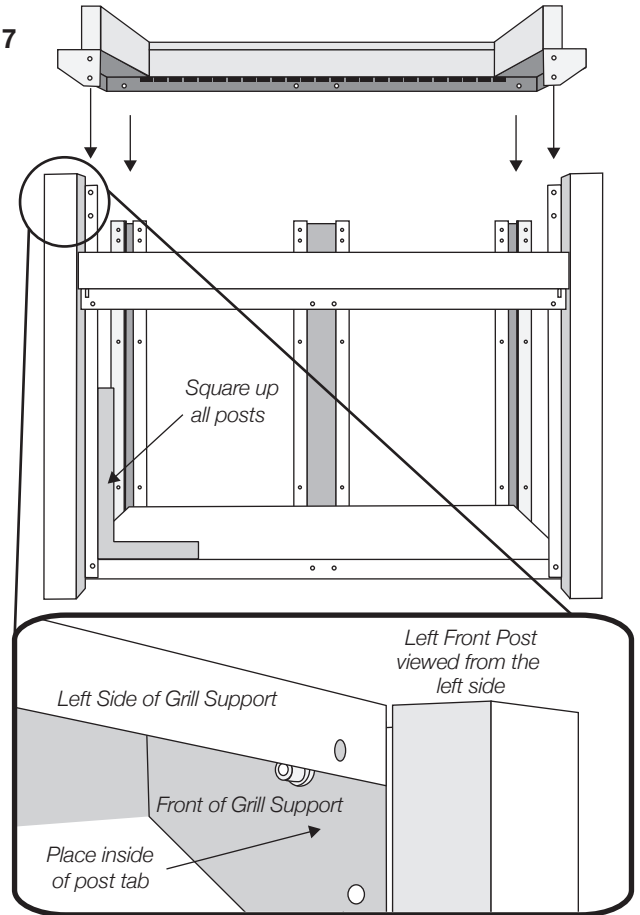
- 1 Grill Support GK3242ASSY
- 10 ButtonSoc Cap screws L1-0002
- Short Arm Hex Key

Parts needed for 48 inch Grill Cabinet

- 1 Grill Support GK3248ASSY
- 10 ButtonSoc Cap screws L1-0002
- Short Arm Hex Key

To attach the grill adapter kit, position the grill support inside of the posts with the opening at the front. (see fig. 7) Use ButtonSoc Cap screws and Short Arm Hex key to loosely attach the support (2 ButtonSoc Cap screws for each post), making sure the support is inside of the post tabs. Once they are all attached, square up posts off the bottom and tighten the post screws, then tighten all screws. **NOTE:** You will attach the filler panels from the adapter kit in Step 9.

Figure 7



6

Attach the back panels.

Parts needed for 42 inch Grill Cabinet

- 2 Back panels BP4226V6 *
- 12 ButtonSoc Cap screws L1-0002
- Short Arm Hex Key

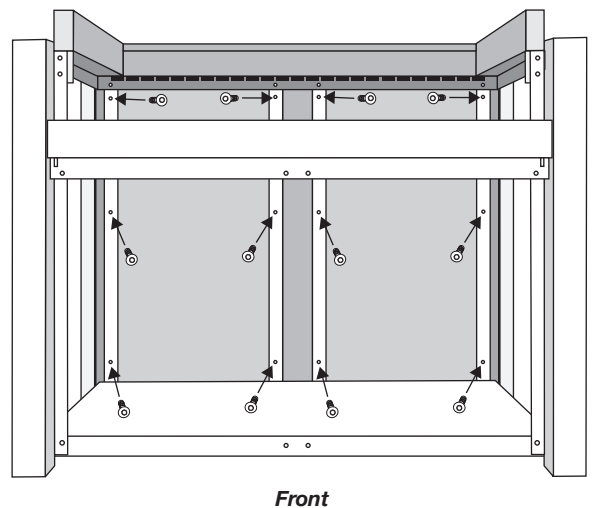
Parts needed for 48 inch Grill Cabinet

- 2 Back panels BP4826 *
- 12 ButtonSoc Cap screws L1-0002
- Short Arm Hex Key

To attach the back panels, place one of the panels between one of the corner posts and back center mullion. Place all the ButtonSoc Cap screws in by hand on the inside of the panel and post. (see fig. 8) **NOTE:** The panels will only go on one way as the holes match up with the post and panel.

Each panel will use 6 screws. Once all the screws are in place, go back and tighten them all with the Short Arm Hex key. Repeat for the other back panel.

Figure 8



** Part numbers are for stainless steel panels. If you have faux stone or filler panels, you can find part numbers on pages 6 and 8.*

Assembly - continued

7 Attach the side panels.

Parts needed for 42 inch Grill Cabinet

- 2 Side panels SP3626V3 *
- 12 ButtonSoc Cap screws L1-0002
- Short Arm Hex Key

Parts needed for 48 inch Grill Cabinet

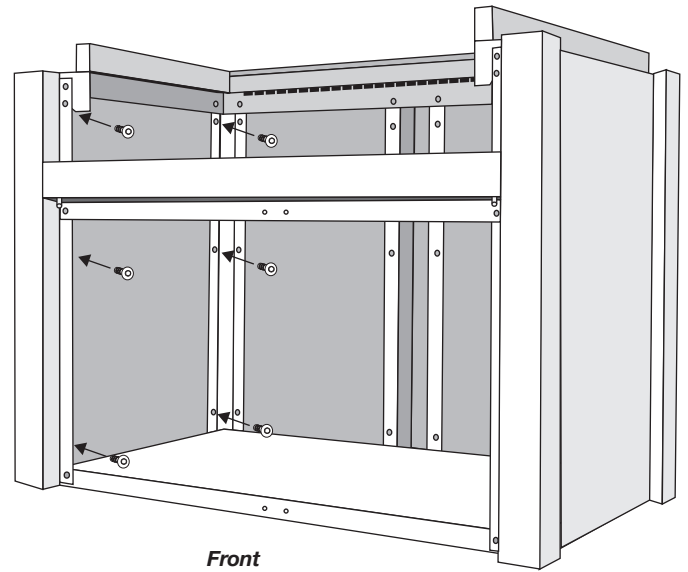
- 2 Side panels SP3626V3 *
- 12 ButtonSoc Cap screws L1-0002
- Short Arm Hex Key

To attach side panels, place one of the side panels on one side and screw in all 6 ButtonSoc Cap screws in by hand on the inside of the panel and post. (see fig. 9) **NOTE:** The panels will only go on one way as the holes match up with the post and panel.**

Once all the screws are in place, go back and tighten them all with the Allen wrench. Repeat for the other side panel.

NOTE: If using a filler panel for connecting to another unit, see Appendix A at the end of these instructions.

Figure 9



* Part numbers are for stainless steel panels. If you have faux stone or filler panels, you can find part numbers on pages 6 and 8.

** If you have a left unit – the finished panel goes to the left. If you have a right unit, the finished panel goes on the right. If you have a center unit, filler panels go on both the right and the left.

8 Attach the adjustable legs to the bottom panel.

Parts needed for 42 inch Grill Cabinet

- 4 Adjustable legs L2-0001

Parts needed for 48 inch Grill Cabinet

- 4 Adjustable legs L2-0001

Lean cabinet on its side, if necessary, being careful not to scratch the surface. Screw in 1 of the 4 legs to the bottom panel into the hole by turning it clockwise. (see fig. 10)

Repeat for the other 3. Adjust the bottom part of the leg by turning counter clockwise until the unit is level. (see fig. 11)

NOTE: It is advised to start at the highest point of where the legs touch the surface for leveling.

Figure 10

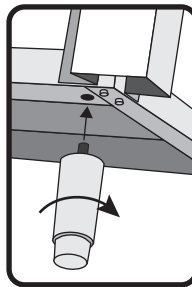
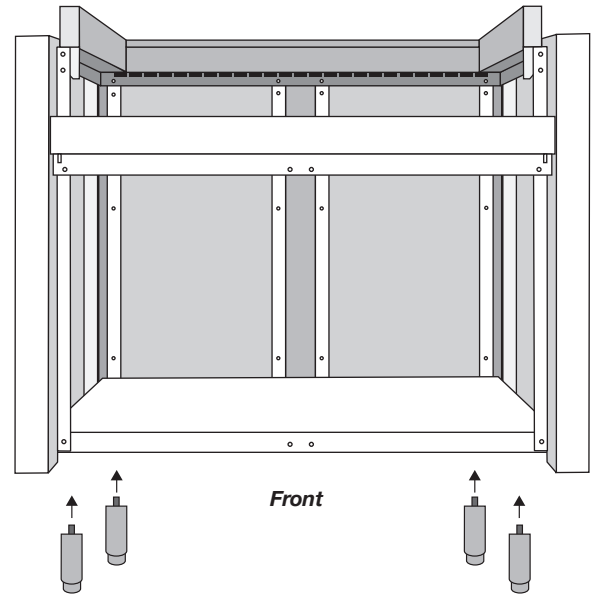
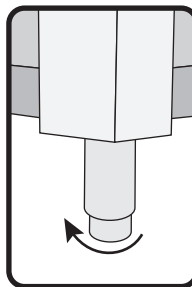


Figure 11



Assembly - continued

9

Attach the right and left side filler panels from the grill adapter kit.

Parts needed for 42 inch Grill Cabinet

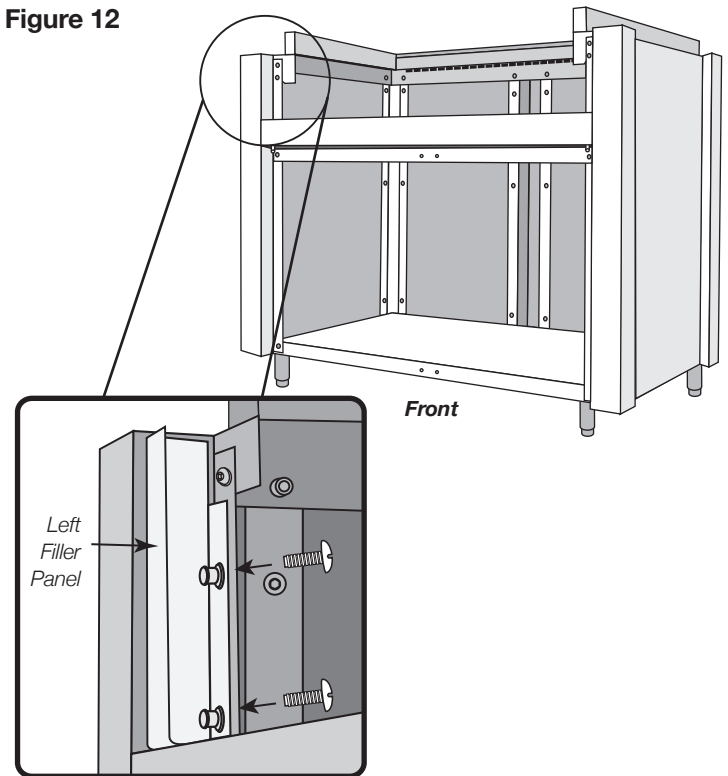
- 1 Side Filler panel, left FPFL4226V6
- 1 Side Filler panel, right FPFR4226V6
- 4 ButtonSoc Cap screws L1-0002
- Short Arm Hex Key

Parts needed for 48 inch Grill Cabinet

- 1 Side Filler panel, left FPFL4226V6
- 1 Side Filler panel, right FPFR4226V6
- 4 ButtonSoc Cap screws L1-0002
- Short Arm Hex Key

Attach the left side filler panel from the grill adapter kit at the top of the front corner post. The flat side butts up to the left corner post with the opening facing the center. (see fig. 12) Use 2 ButtonSoc Cap screws and attach them from the back. Repeat for the right side.

Figure 12



10

Attach the propane tank tray. (Optional)

Parts needed for 42 inch Grill Cabinet

- 1 Propane tank tray PTHASSY

Parts needed for 48 inch Grill Cabinet

- 1 Propane tank tray PTHASSY

There are 6 screws in the bottom assembly. (see fig 13) Remove the 4 screws on right side of the bottom assembly and lay the propane tank tray positioning the holes on the side supports to match up the holes in the bottom assembly. Screw the 4 screws into the tank tray and bottom panel. (see fig. 14) Tighten.

Figure 13

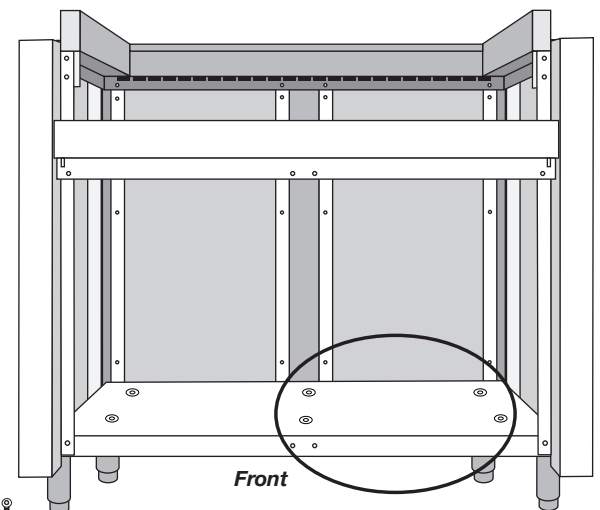
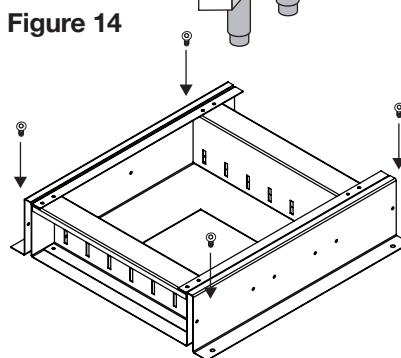


Figure 14



Assembly - continued

11

Assembling the shelf.

Parts needed for 42 inch Grill Cabinet

- | | | |
|---|----------------------|------------|
| 1 | Shelf, Top | SHGR4226-1 |
| 1 | Shelf, Left Side | SHGR4226-2 |
| 1 | Shelf, Right Side | SHGR4226-3 |
| 8 | ButtonSoc Cap screws | |
| | Short Arm Hex Key | |

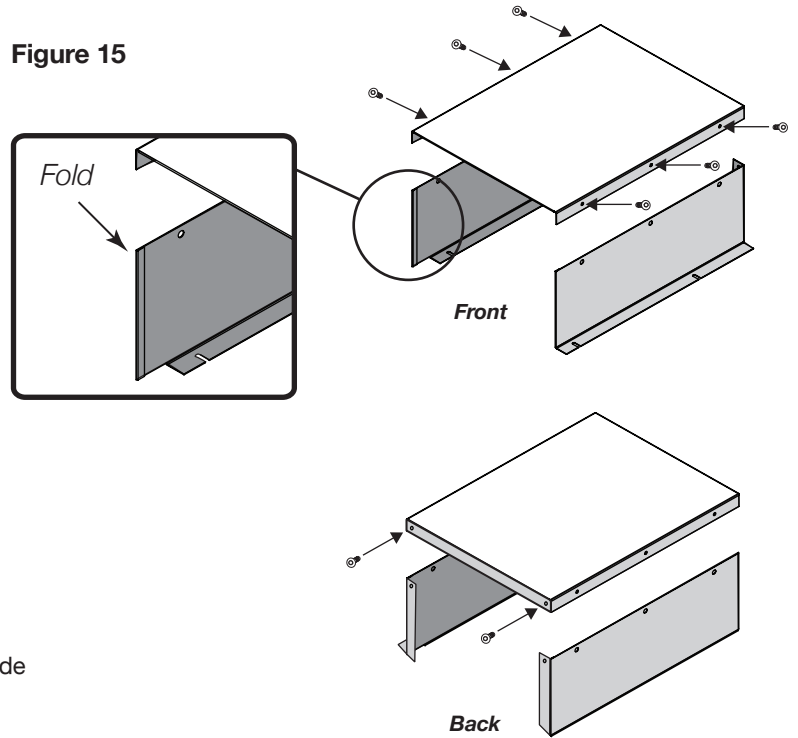
Parts needed for 48 inch Grill Cabinet

- | | | |
|---|----------------------|------------|
| 1 | Shelf, Top | SHGR4226-1 |
| 1 | Shelf, Left Side | SHGR4226-2 |
| 1 | Shelf, Right Side | SHGR4226-3 |
| 8 | ButtonSoc Cap screws | |
| | Short Arm Hex Key | |

Attach left side of shelf to the top of shelf using 3 screws on the side and one in the back. Then attach right side the same way using 3 screws on the side and one on the back. (see fig. 15) Tighten.

NOTE: The fold is to the front on all 3 pieces.

Figure 15



12

Attaching the shelf.

Parts needed for 42 inch Grill Cabinet

- Short Arm Hex Key
- Shelf that was assembled in Step 11

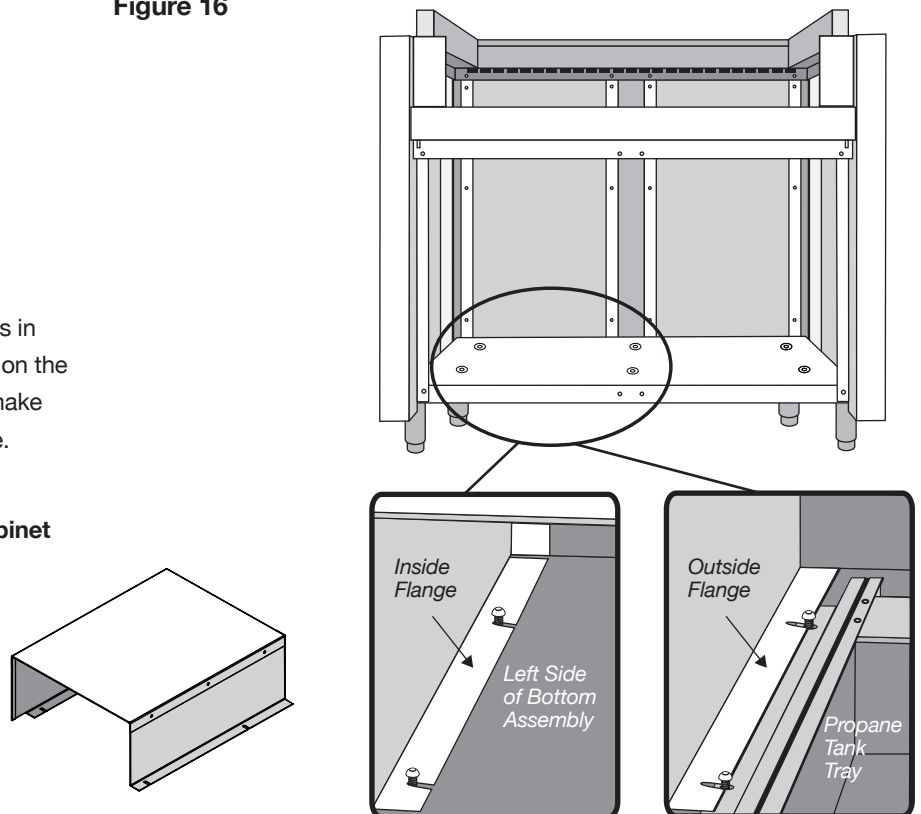
Parts needed for 48 inch Grill Cabinet

- Short Arm Hex Key
- Shelf that was assembled in Step 11

After assembling the shelf, loosen the 2 screws that holds in the propane tank on the left side and the 2 inner screws on the left side of the bottom assembly. Slide in the shelf and make sure right flange of shelf is on top of propane tank flange. Tighten screws. (see fig. 16)

NOTE: Attaching the shelf is required for the Grill Cabinet assembly. For more details, see page 3.

Figure 16



Assembly - continued

13

Attach the door hinges and doors.

Parts needed for 42 inch Grill Cabinet

1	Door Assembly, Right	DPRH1821ASSY
1	Door Assembly, Left	DPLH1821ASSY
1	Left pivot hinge	L2-0002
1	Right pivot hinge	L2-0002
4	ButtonSoc Cap screws	L1-0002
	Short Arm Hex Key	

Parts needed for 48 inch Grill Cabinet

1	Door Assembly, Right	DPRH2121ASSY
1	Door Assembly, Left	DPLH2121ASSY
1	Left pivot hinge	L2-0002
1	Right pivot hinge	L2-0002
4	ButtonSoc Cap screws	L1-0002
	Short Arm Hex Key	

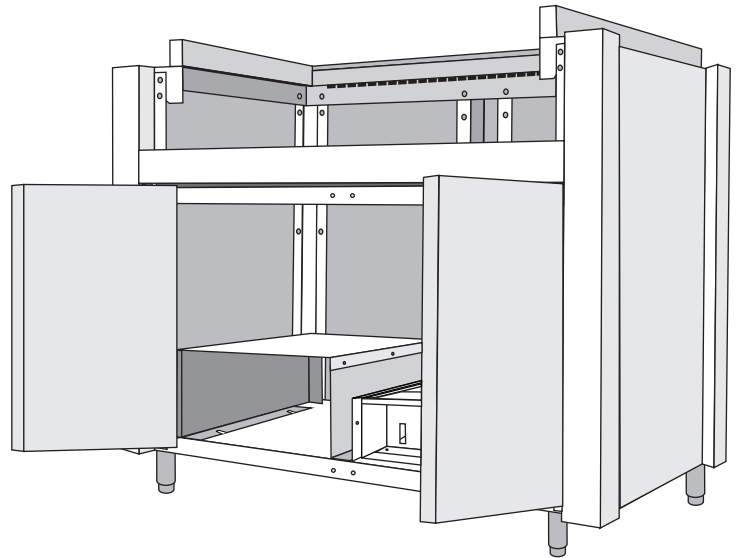


Figure 17

The top door pin is already attached. Place the top of the door into top pin. (see fig. 17) Place the bottom pin hinge into the bottom of the door and then align the hinge with base and attach with 2 screws. (see fig. 18) Do not tighten all the way. You will have to adjust the doors by loosening or tightening the screws on the hinge. Do this for each door. Adjust doors to be parallel to each other leaving a 1/8" gap between them.

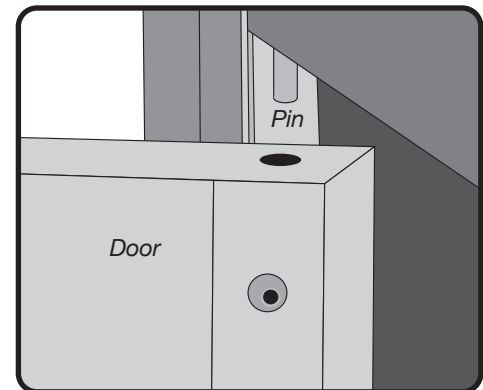
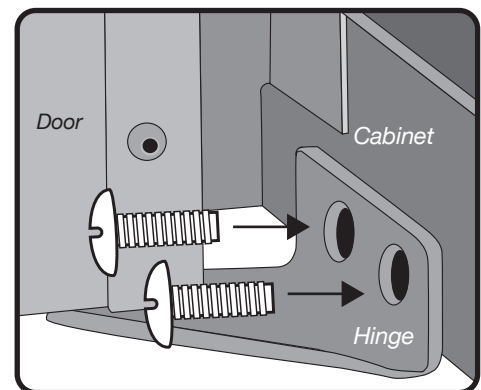


Figure 18



Assembly - continued

Figure 19

14 Attach magnets and door handles.

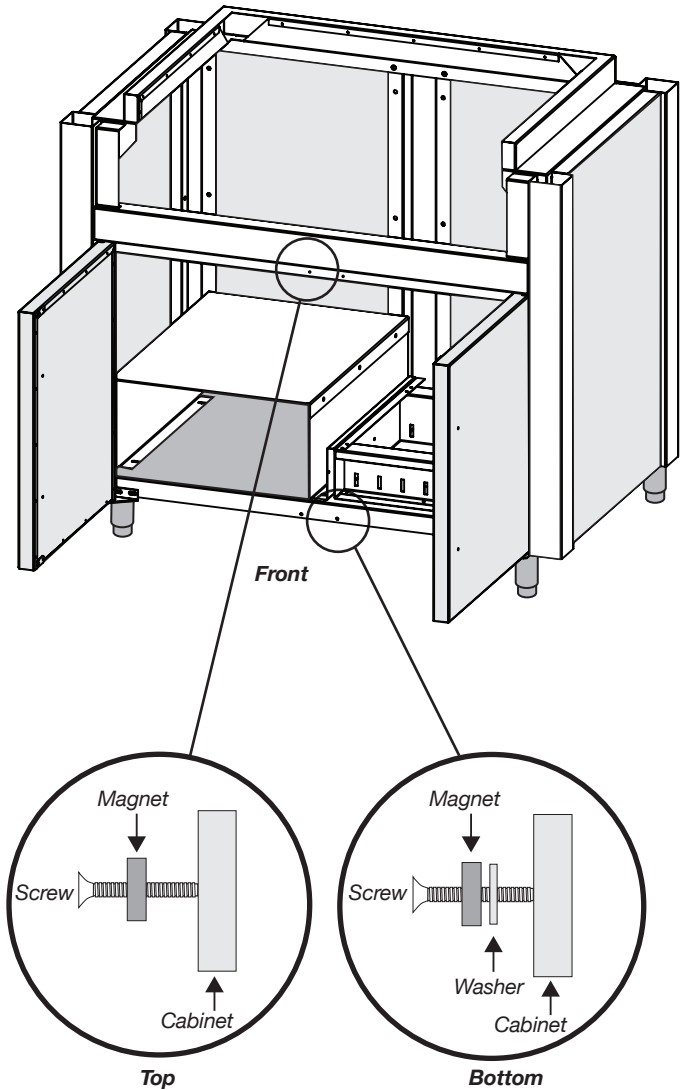
Parts needed for 42 inch Grill Cabinet

- | | | |
|---|--|---------|
| 4 | Phillips Flat u/c machine screws | L1-0007 |
| 4 | Ring magnets | L1-0001 |
| 2 | Nylon washers | L1-0008 |
| 2 | Door Handles | L2-0003 |
| 4 | 1 $\frac{3}{4}$ " ButtonSoc Cap Screws | L1-0004 |
| | Short Arm Hex Key | |
| | Phillips head screw driver | |

Parts needed for 48 inch Grill Cabinet

- | | | |
|---|--|---------|
| 4 | Phillips Flat u/c machine screws | L1-0007 |
| 4 | Ring magnets | L1-0001 |
| 2 | Nylon washers | L1-0008 |
| 2 | Door Handles | L2-0003 |
| 4 | 1 $\frac{3}{4}$ " ButtonSoc Cap Screws | L1-0004 |
| | Short Arm Hex Key | |
| | Phillips head screw driver | |

Attach the bottom two magnets in the following order; screw, magnet and washer up against the cabinet with a Phillips head screwdriver. (see fig. 19) For the top two magnets, use only a screw and magnet and tighten with Phillips head screwdriver. (NOTE: washers are not needed for top magnets.) Attach the handles to the doors using the 8-32 x 1 $\frac{3}{4}$ " ButtonSoc Cap screws.



Appendix A

Attaching one cabinet to another.

Parts needed for 42 inch Grill Cabinet

2 Clips per cabinet CC125375

Parts needed for 48 inch Grill Cabinet

2 Clips per cabinet CC125375

To attach one cabinet to another, butt cabinets up to each other. Level the two cabinets. Remove the top two screws. **(Fig. 20)** Take bracket and place down inside the corner posts and line up with screw holes. Using screws that were removed, reinsert them into the bracket and then the cabinet. **(Fig. 21)** Repeat for opposite side. **(Fig. 22)**

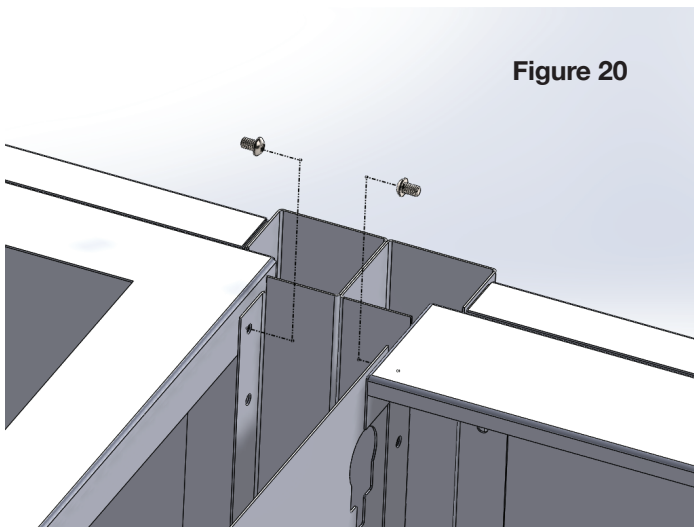


Figure 20

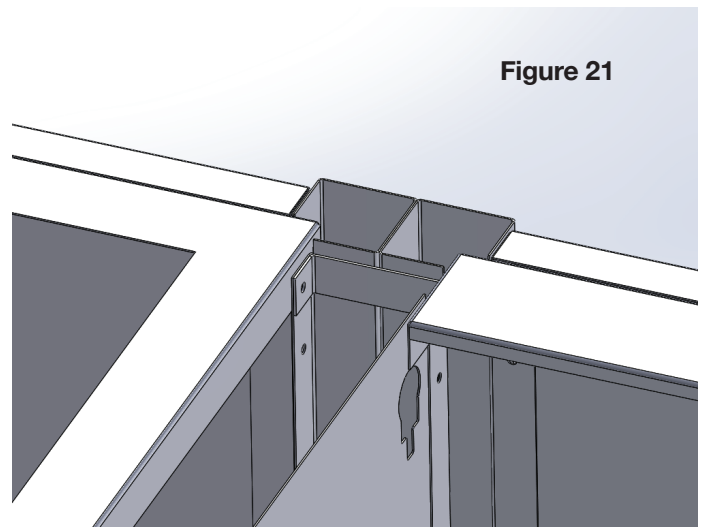


Figure 21

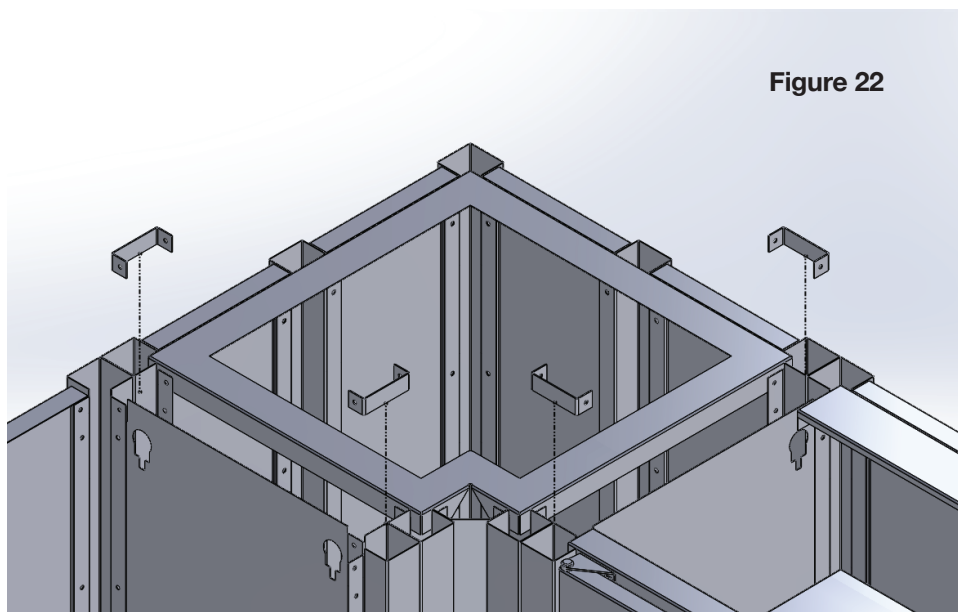


Figure 22



Thank You. We appreciate the trust and confidence you have in our products. It is our mission to provide quality products for your backyard. Visit us online to see our full line of Sierra products as well as other products Cardinal Systems Inc. has to offer for your backyard entertainment. Thank you for choosing Cardinal Systems.

Please retain this manual for future use

