



# “QUALITY

is never an accident; it is always the result of high intention, sincere effort, intelligent direction and skillful execution; it represents the wise choice of many alternatives.”

– William A. Foster



# SIERRA OUTDOOR DESIGNS

## INDEX

- 03 EXCELLENCE IN DESIGN | [the making of discerning cabinetry](#)
- 05 Options
  
- 07 DIVERSITY IN MODULARITY | [cabinetry line](#)
- 08-09 Base Cabinets
- 10-11 Corner Cabinets
- 12 Grill Cabinets
- 13 Side Burner Cabinet
- 14 Sink Cabinet
- 15 Sink Bar Cabinet
- 16 Refrigerator Cabinet
- 17 Refrigerator Bar Cabinet
- 18-19 Refrigerator Surround Cabinet
- 20 Bar Cabinets
- 21 Drawer Cabinet
- 22 Waste Receptacle Cabinet
- 23 Toe Kick
  
- 25 MAKE A GREAT START | [pre-designed combinations](#)
- 26 The Catskills
- 27 The Pocono
- 28 The Appalachian
- 29 The Allegheny
- 30 The Denali
- 31 The Blue Ridge
- 32 The Cascade
  
- 35 ELEGANCE WITH FUNCTION | [appliances](#)
  
- 41 POSSIBILITIES ARE ENDLESS | [gallery](#)
  
- 45 MEET THE MANUFACTURER | [cardinal systems, inc.](#)



“NEXT

to excellence is the appreciation of it.”

—William Makepeace Thackeray



# EXCELLENCE IN DESIGN

## THE MAKING OF DISCERNING CABINETRY

Sierra Outdoor Designs from Cardinal Systems, Inc. changes the playing field of outdoor living options with a sleek design that invites you and your family to expand your living quarters into the outdoors. Designers have created a streamlined system of component pieces for those who desire to entertain with style.

Utilizing marine grade stainless steel construction materials and the highest quality faux stone façade the Sierra Outdoor line allows you to have attractive cabinetry options that provide both functionality and style.

Standardization of modular components help you create your own configuration to fit perfectly into your backyard entertainment area.

Elegance of design, innovation of materials, and streamlined construction methods marry together in Sierra Outdoor Designs. The Sierra Outdoor Designs cabinetry system offers modular hardscape solutions that insure attractive and elegant options for any space.



“GOOD

design is making something intelligible and memorable. Great design is making something memorable and meaningful.”

—Dieter Rams



## OPTIONS

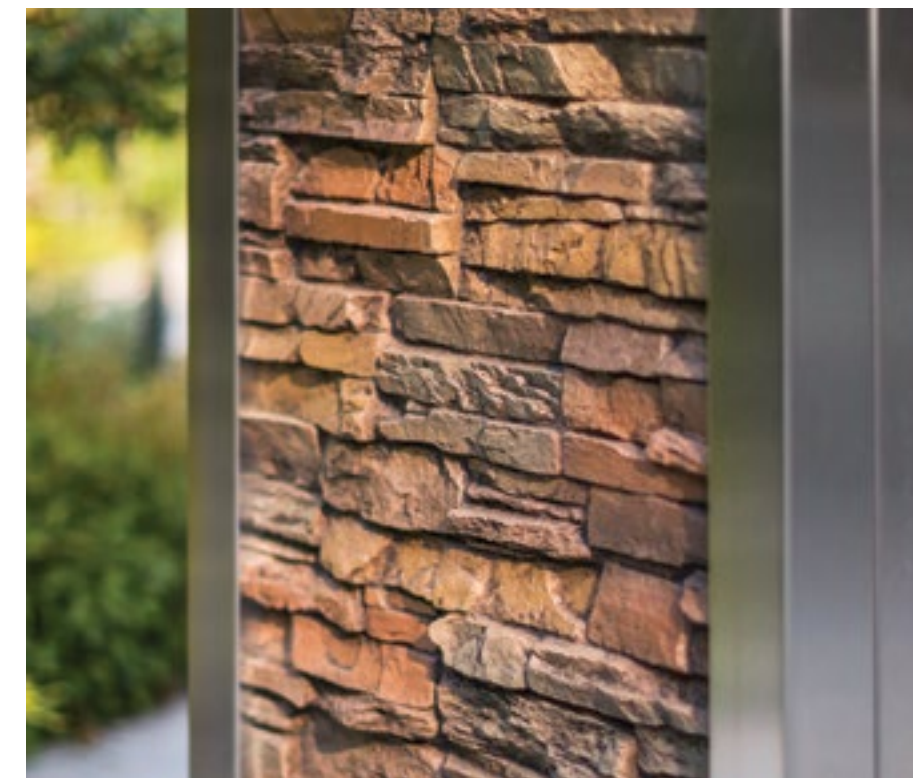
The cabinetry is designed for custom choice finishes on the sides and back of the units. Sierra offers stainless steel or two choices of faux stone: brown or gray stacked stone. The system is made so you can make a change to your look at any time by easily sliding out the existing side or back panel and replacing it with a new panel.



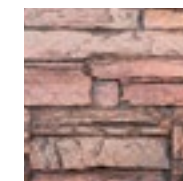
Stainless Steel Panel



Faux Stone Panel



Stainless Steel



Brown Faux Stone



Gray Faux Stone

*“EXCELLENCE*

is doing ordinary things extraordinarily well.”

—John W. Gardner



# DIVERSITY IN MODULARITY

## CABINERY LINE

The Sierra Outdoor Designs line is constructed with standardized units and dimensions for flexibility and variety in use. This modular approach allows for a customized look to fit any hardscape layout.

Cabinetry can be configured to fit almost any space requirements. You can build a layout from a number of select units to make your grilling space a full functioning kitchen.

Choose bars, sinks, grills or base cabinets and make the configuration that fits your style. Each unit is created using 316 marine grade stainless steel giving you a cabinet that can withstand the elements.

The cabinets are available as a stand alone or may be connected to other available pieces. The units can be assembled as islands or up against a wall for a “built-in” look. The doors are stainless steel with a solid feel and attractive handles. For the finished sides, choose from the available faux stone options or an all stainless steel look.

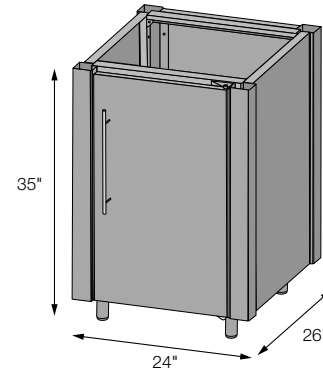


**Base Cabinets**

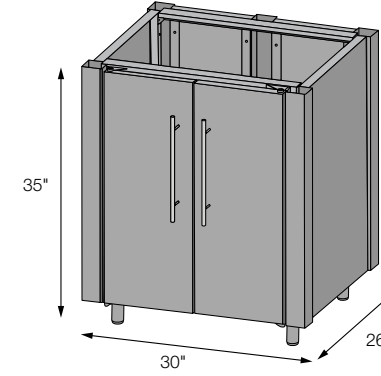
The base cabinet provides ample storage space with our built-in shelf. Depending on the size, the cabinet will come with either one door or two. With the one door, you have the option of having the door handle on either the left or right of the door.

**AVAILABLE BASE CABINET SIZES**

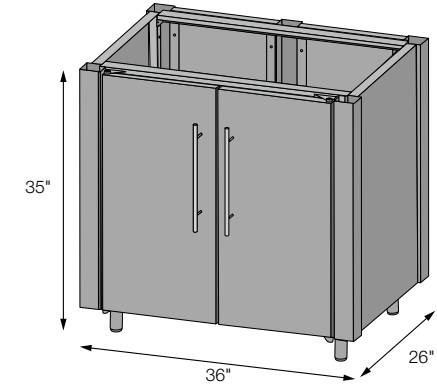
12"	1 Door	27"	2 Door
15"	1 Door	30"	2 Door
18"	1 Door	33"	2 Door
21"	1 Door	36"	2 Door
24"	1 Door	42"	2 Door
		48"	2 Door



24" width with 1 door



30" width with 2 doors

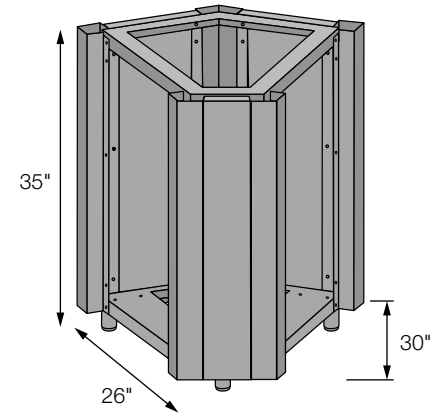


36" width with 2 doors

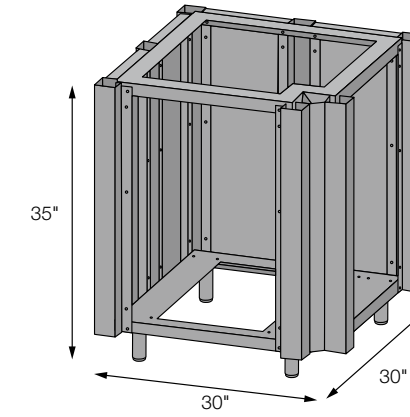


### 45° and 90° Corner Cabinets

The corner cabinets provide various ways to make configurations requiring a 90 or 45 degree angle. These units will help you design a layout that could virtually fit into any space. The corner cabinets are available in a 90° or a 45° angle.



AVAILABLE 45° CORNER CABINET SIZES  
26" deep both sides



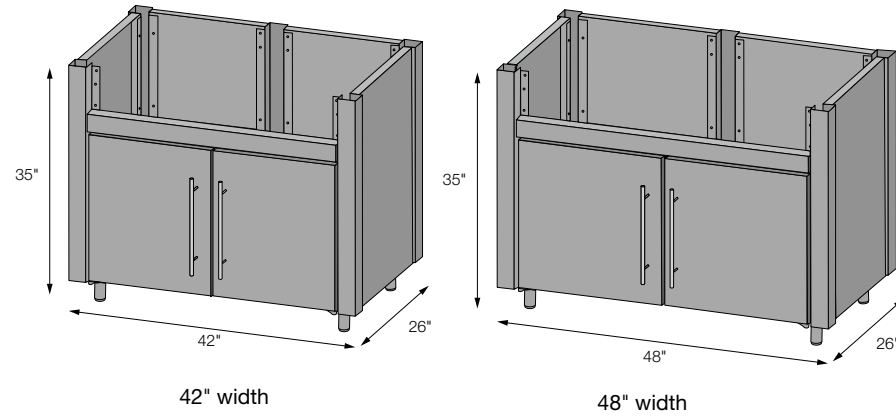
AVAILABLE 90° CORNER CABINET SIZES  
30" 26" deep both sides  
30-32" 26" deep left/28.5" deep right  
32-30" 28.5" deep left/26" deep right



### Grill Cabinets

Make grilling a statement of art with our grill cabinet. Our grill cabinets are built to house most grills.

NOTE: We have the ability to adapt any grill line into our kitchens as long as the dimensions are provided. Adaptor kits for grills are sold at an additional price. Please contact our customer service representatives for more information at 570-385-4733.



#### AVAILABLE GRILL CABINET SIZES

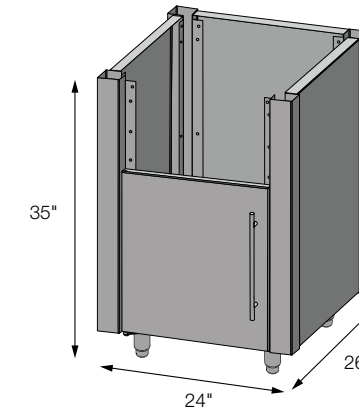
- 42" Fits 32" appliance
- 48" Fits 32"/38" appliance



### 24" Side Burner Cabinet

Complement your outdoor kitchen with our 24" Side Burner cabinet. Essential to your outdoor kitchen when you need that little extra grilling space.

NOTE: We have the ability to adapt most side burners into our cabinet as long as the dimensions are provided. Adaptor kits for side burners are sold at an additional price. Please contact our customer service representatives for more information at 570-385-4733.



#### AVAILABLE SIDE BURNER CABINET SIZES

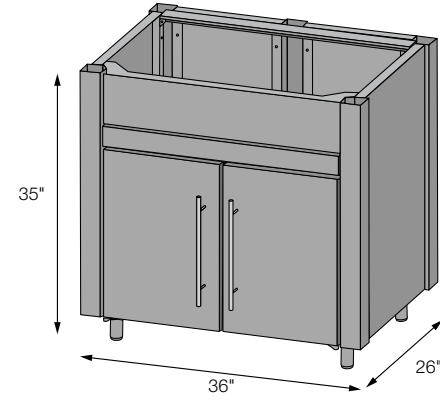
- 24" Fits 14" appliance
- 36" Fits 26" appliance





**Sink Cabinet**

No kitchen or bar is complete without a sink. Cabinet will fit most sinks. Please check the specifications before purchasing and/or installing a sink.



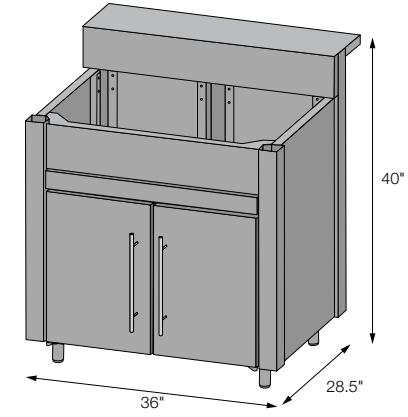
**AVAILABLE SINK CABINET SIZES**

- 18" Small Sink/1 Door
- 24" Small Sink/1 Door
- 27" Small Sink/2 Door
- 30" Large Sink/2 Door
- 33" Large Sink/2 Door
- 36" Large Sink/2 Door



**Sink Bar Cabinet**

The sink bar cabinet is just like our sink cabinet except it has the extended bar unit. Cabinet will fit most sinks. Please check the specifications before purchasing and/or installing a sink.



**AVAILABLE SINK BAR CABINET SIZES**

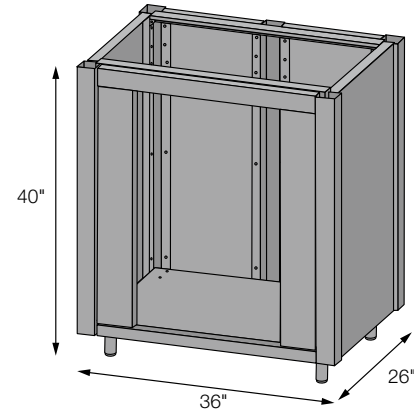
- 24" Small Sink/1 Door
- 36" Large Sink/2 Door



### Refrigerator Cabinet

Our refrigerator cabinet is a nice addition to any set for a refrigerator to keep things cool.

NOTE: We have the ability to adapt other refrigerators into our kitchens as long as the dimensions are provided and the cabinet can accommodate the size. Adaptor kits for refrigerators are sold at an additional price. Please contact our customer service representatives for more information at 570-385-4733.



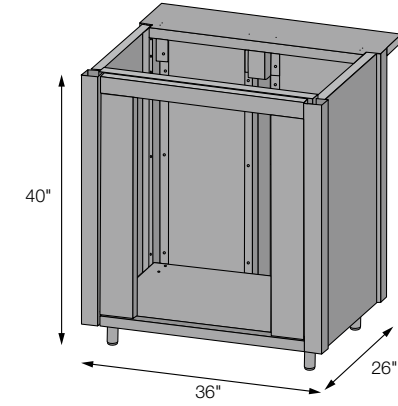
#### AVAILABLE REFRIGERATOR CABINET SIZES

36" Includes Kit/  
fits 24" fridge

### Refrigerator Bar Cabinet

What bar doesn't have a refrigerator to keep those drinks and condiments cold? Our refrigerator bar cabinet is a great add on for a unit with a bar.

NOTE: We have the ability to adapt other refrigerators into our kitchens as long as the dimensions are provided and the cabinet can accommodate the size. Please contact our customer service representatives for more information at 570-385-4733.



#### AVAILABLE REFRIGERATOR BAR CABINET SIZES

36" Includes Kit/  
fits 24" fridge



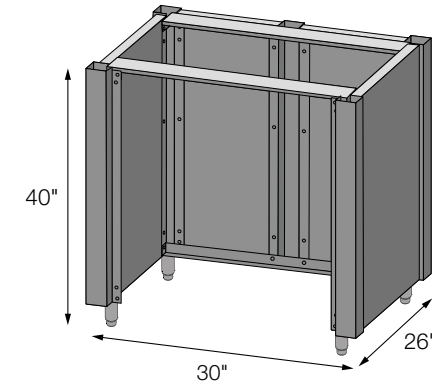
### Refrigerator Surround Cabinet

An alternative to our refrigerator cabinet, the refrigerator surround cabinet allows for those refrigerators that will sit directly on the ground. Comes in two sizes to accommodate a center application or a unit that will sit on the end of a set.

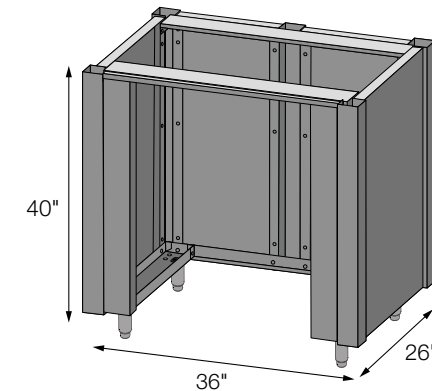
NOTE: We have the ability to adapt other refrigerators into our kitchens as long as the dimensions are provided and the cabinet can accommodate the size. Please contact our customer service representatives for more information at 570-385-4733.

### AVAILABLE REFRIGERATOR SURROUND CABINET SIZES

- 30" Fits in center of set only  
No Kit/fits 24" fridge
- 36" Fits on end of a set  
Includes Kit/fits 24" fridge



30" Center Unit

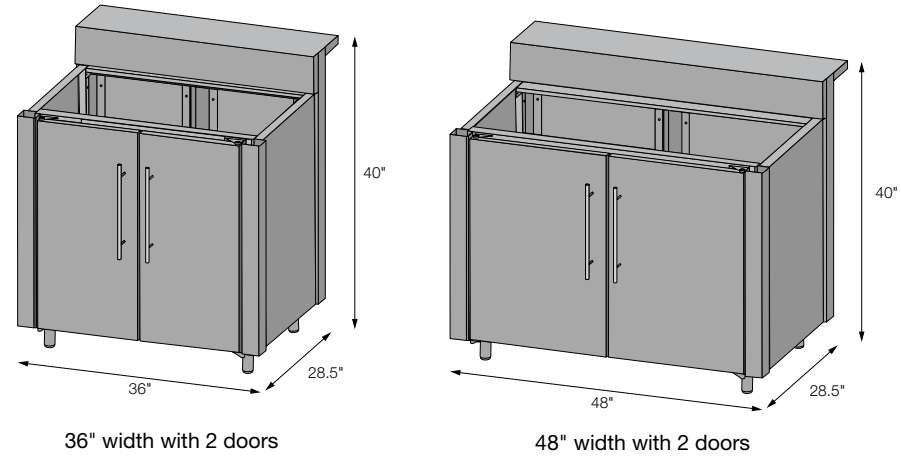


36" End Unit



**Bar Cabinets**

Our bar cabinets have the same features as our base cabinets but with an extended bar at the top. Connect with other cabinets with bar tops for a great entertaining set.



**AVAILABLE BAR CABINET SIZES**

- 24" 1 Door
- 36" 2 Door
- 48" 2 Door

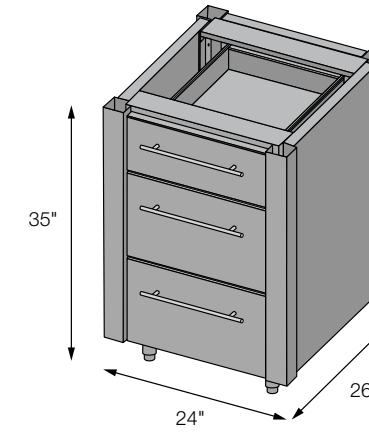
36" width with 2 doors

48" width with 2 doors



**24" Drawer Cabinet**

Every kitchen needs a little extra space, so why not add some drawers? Our drawer cabinet features soft close drawers that smoothly open and close. Each drawer features a channel to direct water out of the way keeping the drawer dry.



**AVAILABLE DRAWER CABINET SIZES**

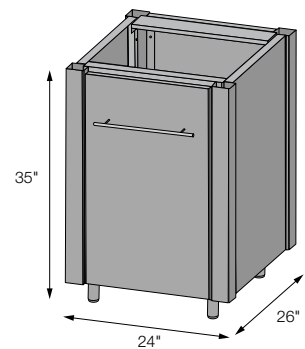
- 21" 3 Drawer
- 24" 3 Drawer
- 24" 2 Drawer/blank for side burner
- 27" 3 Drawer
- 30" 3 Drawer
- 36" 3 Drawer



## Waste Receptacle Cabinet

No kitchen is complete without a waste receptacle. Keep trash neat and compact with an easy slide out that can accommodate up to two waste bins, depending on the size of the cabinet.

NOTE: Black Trash bins are sold separately.



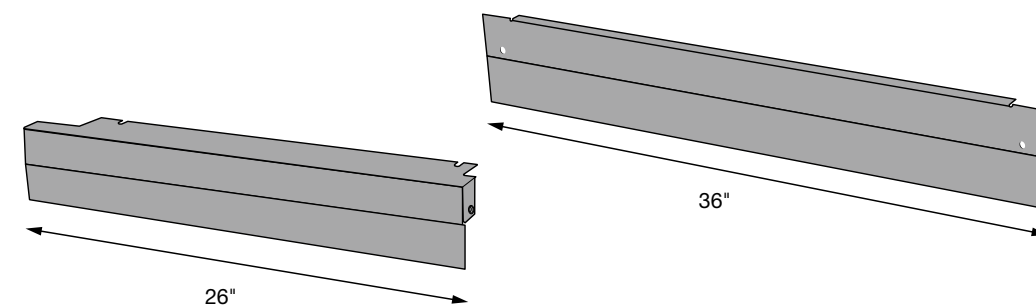
### AVAILABLE WASTE RECEPTACLE CABINET SIZES

- 18" Accepts one 10 gallon black waste bin
- 24" Accepts two 10 gallon black waste bins



## Toe Kick

For that truly built-in look, consider our Toe Kicks. Available for all the cabinets whether they are stand alone or against the wall. Made from 316 marine grade stainless steel, they are an added option that will enhance the look of your outdoor kitchen.



Toe Kick front and back



Toe Kick side



Toe Kick on 36" Base Cabinet



Toe Kick on 36" Base Cabinet

*“IN CHARACTER,*

in manner, in style, in all things, the supreme excellence is simplicity.”

—Henry Wadsworth Longfellow



# MAKE A GREAT START

## PRE-DESIGNED COMBINATIONS

Make cooking in your outdoor space an art form with our pre-designed combinations. Sierra Outdoor Designs® gives you several layouts to get you cooking!

From our smallest layout, the Catskills, to our largest, The Blue Ridge, we have the unit to fit your space. These units can transform any patio or poolside into a great entertaining area. Since our units are modular, you can add to these existing sets now or later to expand on your grilling and entertaining needs. Select units come with grill heads and other appliances to complete your outdoor kitchen, and make for easy one-stop shopping.



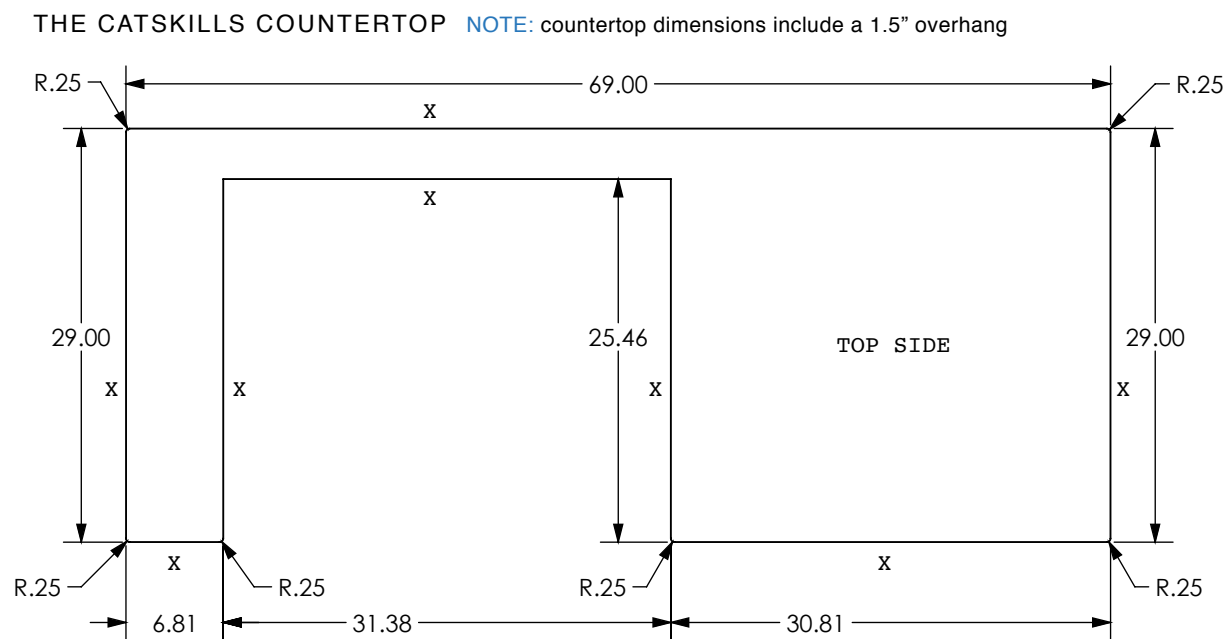
## THE CATSKILLS

Need an outstanding grill unit for a small space? Our Catskills is the answer. Featuring a 32" Built-in Cast Stainless Steel, 3-burner grill with back burner and rotisserie, this unit is only about 64" wide. Comes with a 42" grill cabinet and 24" drawer cabinet.

### WHAT'S INCLUDED

- 42" Grill Cabinet, island, side, finished on back & left side
- 24" Drawer Cabinet, island, side, finished on back & right side
- 42" Grill Cabinet Adaptor kit for SABER Grill w/LP Adaptor
- 3 Burner Saber® Elite Built-In Grill

PLEASE NOTE: Unit does NOT include a counter top. A counter top template is shown to the right or it can be downloaded from our website: [sierraoutdoordesigns.com](http://sierraoutdoordesigns.com)



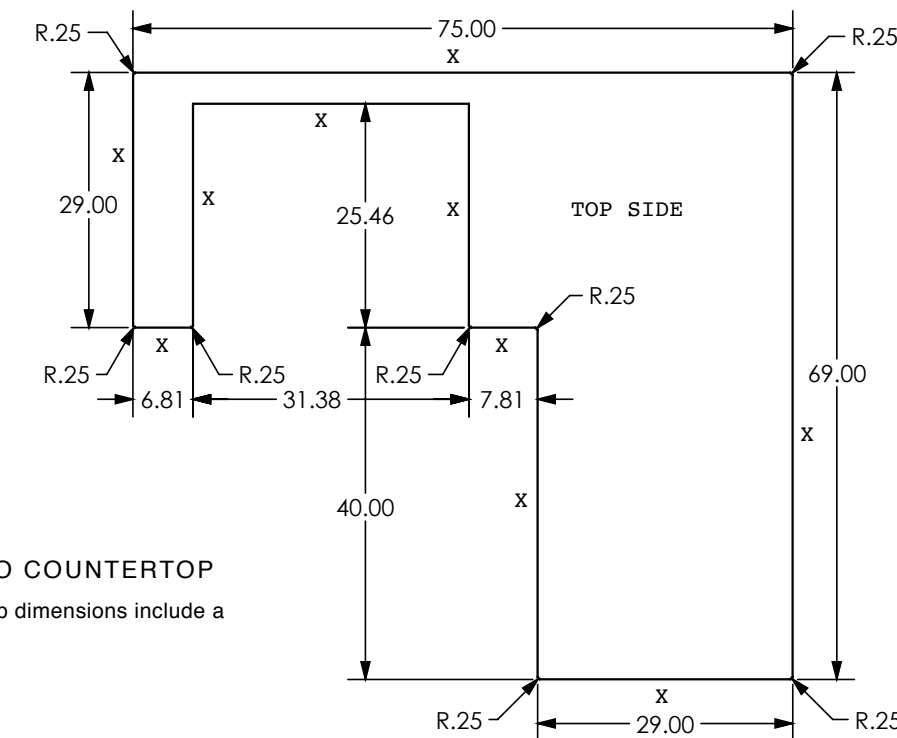
## THE POCONO

Need a grilling area that gives you not only a grill, but an area to work on? The Pocono unit will fit nicely into any area that will accommodate a 90° angle. The generous area of the corner unit and 36" cabinet allows for a substantial area to work on and looks exquisite at the same time. This cabinet has plenty of room to store items such as your grilling accessories.

### WHAT'S INCLUDED

- 42" Grill Cabinet, island, side, finished on back & left side
- 30" Corner Cabinet, island, center, finished on 2 back side
- 36" Cabinet, island, side, finished on back & right or left side
- 42" Grill Cabinet Adaptor kit for SABER Grill w/LP Adaptor
- 3 Burner Saber® Elite Built-In Grill

PLEASE NOTE: Unit does NOT include a counter top. A counter top template is shown to the right or it can be downloaded from our website: [sierraoutdoordesigns.com](http://sierraoutdoordesigns.com)



**THE POCONO COUNTERTOP**  
NOTE: countertop dimensions include a 1.5" overhang





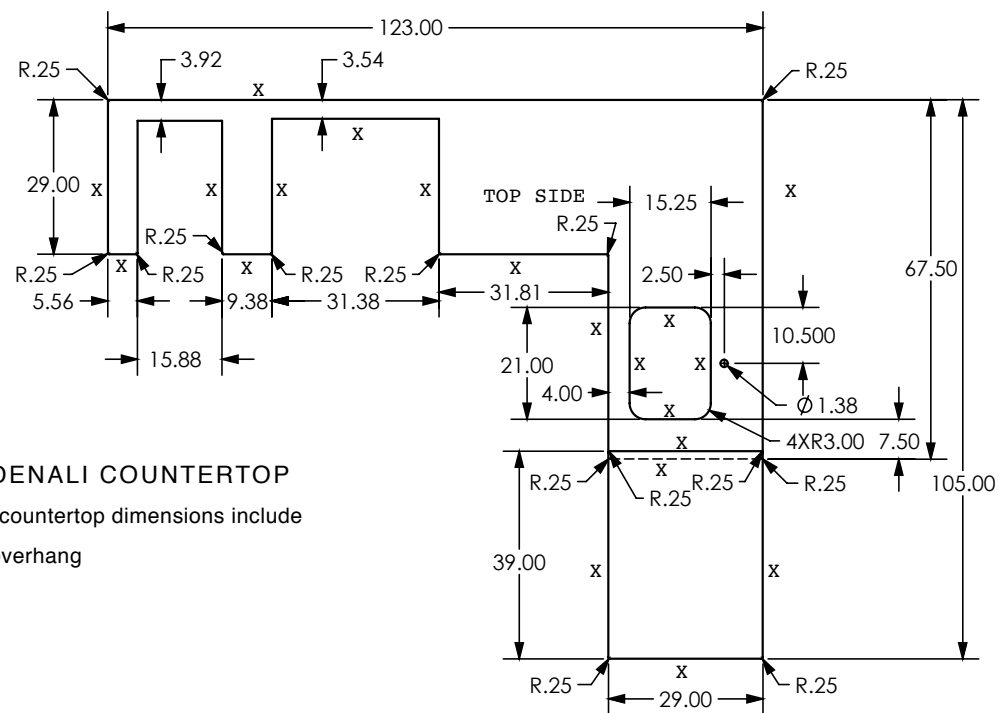
## THE DENALI

An outdoor kitchen that exceeds your expectations. The Denali gives you features such as a grill, refrigerator, sink and waste receptacle all housed in 316 marine grade stainless steel components. Add to this a 90° corner unit and 24" side burner cabinet for a complete look.

### WHAT'S INCLUDED

- 24" Side Burner Cabinet, island, side, finished on back and left side with one door and handle on the right
- 42" Grill Cabinet, island, center, finished on back side
- 24" Trash Cabinet, island, center, finished on back side
- 30" Corner Cabinet, island, center, finished on 2 back sides
- 36" Sink Cabinet, island, center, finished on back side
- 36" Refrigerator Cabinet, island, side, finished on back & right side
- 42" Grill Cabinet Adaptor kit for SABER Grill with LP Adaptor
- 24" Saber Elite Side Burner Adapter Kit with LP
- 3 Burner Saber® Elite Built-In Grill
- Saber® Elite SSE Dual-Burner Built-in Side Burner
- Summit Refrigerator Adapter Kit
- Summit Refrigerator
- 10 Gallon Black Waste Receptacle Bin (Quantity -2)
- McAllister® by Sterling® KO1144718NA Stainless Steel Sink with Strainer
- Kraus KPF-2160 Classic Kitchen Faucet

PLEASE NOTE: Unit does NOT include a counter top. A counter top template is shown to the right or it can be downloaded from our website: [sierraoutdoordesigns.com](http://sierraoutdoordesigns.com)



THE DENALI COUNTERTOP

NOTE: countertop dimensions include a 1.5" overhang

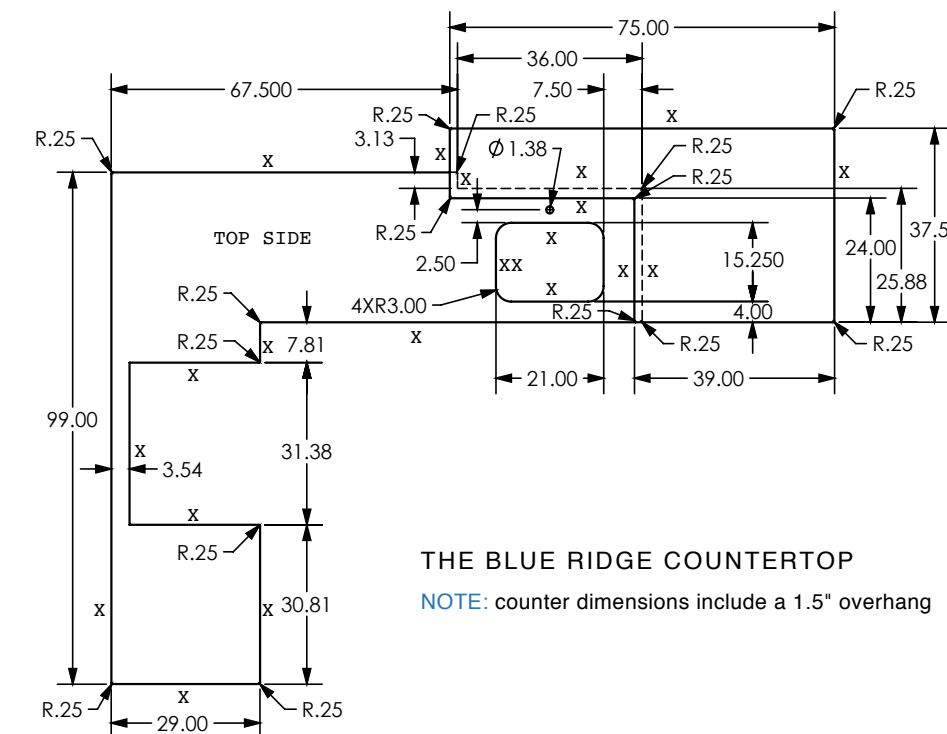
## THE BLUE RIDGE

The crowning jewel of our combinations line, the Blue Ridge is your ultimate entertaining outdoor kitchen featuring both a sink and refrigerator bar cabinets, waste receptacle, grill cabinet, 90° corner cabinet and 36" base cabinet.

### WHAT'S INCLUDED

- 42" Grill Cabinet, center, finished on back side
- 30" Corner Cabinet, island, center, finished on 2 back sides
- 24" Trash Cabinet, island, side, finished on back & right or left side
- 36" Cabinet, island, center, finished on back side
- 36" Sink Bar Cabinet, island, center, finished on back side
- 36" Refrigerator Bar Cabinet, island, side, finished on back & right or left side
- 42" Grill Cabinet Adaptor kit for SABER Grill w/LP Adaptor
- 3 Burner Saber® Elite Built-In Grill
- 10 Gallon Black Waste Receptacle Bin (Quantity -2)
- Summit Refrigerator Adapter Kit
- Summit Refrigerator
- McAllister® by Sterling® KO1144718NA Stainless Steel Sink with Strainer
- Kraus KPF-2160 Classic Kitchen Faucet

PLEASE NOTE: Unit does NOT include a counter top. A counter top template is shown to the right or it can be downloaded from our website: [sierraoutdoordesigns.com](http://sierraoutdoordesigns.com)



THE BLUE RIDGE COUNTERTOP

NOTE: counter dimensions include a 1.5" overhang

## THE CASCADE

Have somewhat of a curve in your space? This unit features a 45 degree corner unit that will help fit this unit into that curve. Not too big, nor too small, it gives you the necessary cooking area with drawers for storage and a waste receptacle for your trash.

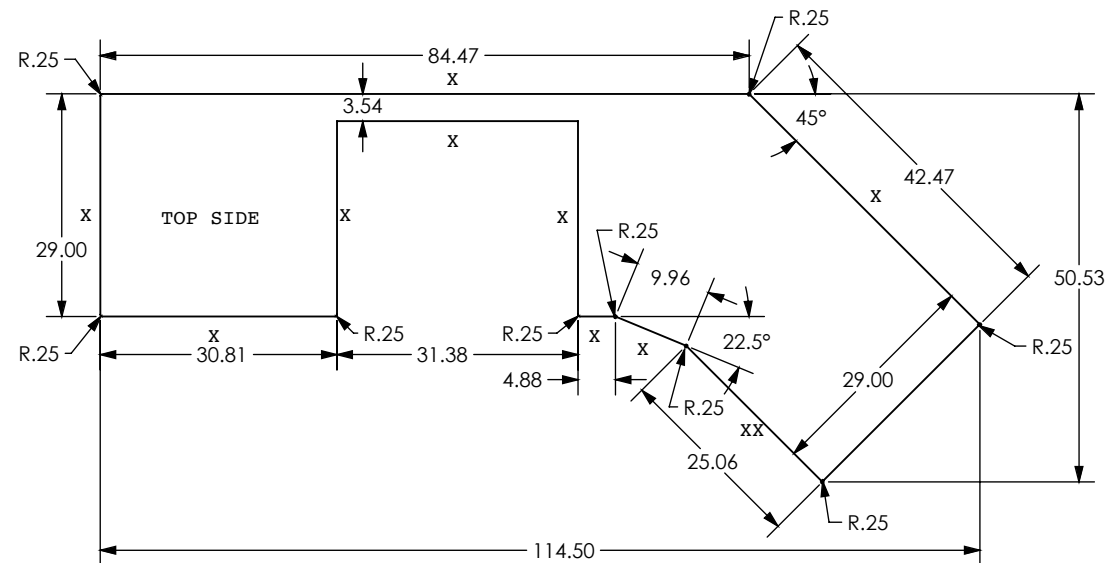
### WHAT'S INCLUDED

- 24" Drawer Cabinet, island, side, finished on back & left side
- 42" Grill Cabinet, island, center, finished on back side
- 45° Corner Cabinet
- 24" Trash Cabinet, island, side, finished on back & right side
- 42" Grill Cabinet Adapter kit for SABER Grill w/LP Adapter
- 3 Burner Saber® Elite Built-In Grill
- 10 Gallon Black Waste Receptacle Bin (Quantity -2)

PLEASE NOTE: Unit does NOT include a counter top. A counter top template is shown to the right or it can be downloaded from our website: [sierraoutdoordesigns.com](http://sierraoutdoordesigns.com)



THE CASCADE COUNTERTOP **NOTE:** countertop dimensions include a 1.5" overhang



“DESIGN,

is not just what it looks like and feels like.  
Design is how it works.”

—Steve Jobs



# ELEGANCE WITH FUNCTION

## APPLIANCES

No outdoor kitchen is complete without the amenities of the appliance. Sierra Outdoor Designs® offers select premium appliances to give you a one stop shopping experience. Though, through our adapter kits, we can accommodate almost any appliance.

We offer grills and burners of top quality to compliment our superior cabinetry. Choose from select models that have been carefully chosen for a satisfying cooking experience.



#### 4 BURNER SABER ELITE BUILT-IN GRILL

- All commercial stainless steel construction
- Reliable ignition system with an electrode at every burner
- LED lights above the knobs and 2 internal halogen lights for nighttime grilling
- Mirror-polished edges and handles
- Includes stainless steel rotisserie kit and carrying case
- Includes 3-year warranty marine-grade cover - A67AA0412
- Includes appliance-style natural gas regulator
- SS 304 multiple-position warming rack with storage location
- High-strength mounting flanges
- Cutout dimensions: 37" W x 22" D x 9" H
- Product dimensions: 40 3/16" W x 26" D x 21 5/8" H



#### 3 BURNER SABER ELITE BUILT-IN GRILL

- All commercial stainless steel construction
- Reliable ignition system with an electrode at every burner
- LED lights above the knobs and 2 internal halogen lights for nighttime grilling
- Mirror-polished edges and handles
- Includes stainless steel rotisserie kit and carrying case
- Includes 3-year warranty marine-grade cover - A50ZZ0512
- Includes appliance-style natural gas regulator
- SS 304 multiple-position warming rack with storage location
- High-strength mounting flanges
- Cutout dimensions: 28 1/8" W x 22" D x 9" H
- Product dimensions: 31 5/8" W x 26" D x 21 5/8" H



#### SABER ELITE DUAL-BURNER BUILT-IN SIDE BURNER

- All commercial stainless steel construction
- LED lights over the knobs for nighttime grilling
- Mirror-polished edges and handles
- Integrated lid design for superior weather-resistance
- Stainless steel grate
- 2 Individually controlled tube burners for low or high heat up to 18,000 BTUs
- Great for wok cooking, skillet dishes, boiling seafood or frying shrimp
- Cut-out dimensions: 11 7/8" W x 20 3/4" D x 8 11/16" H
- Product dimensions: 14 15/16" W x 26 1/8" D x 9 1/4" H



#### MCALLISTER® BY STERLING STAINLESS STEEL SINK

- Classic stainless steel single rectangle under mount sink
- SilentShield® sound-absorption technology helps maintain water temperature, reduces condensation, and decreases noise
- Overall dimensions 24" L x 18" W x 8" D
- Sink Strainer included (see photo)
- Faucet not included

#### SPRINGDALE BY STERLING STAINLESS STEEL SINK

- 14" x 12"
- Undermount 19 Gauge stainless steel
- Bowl: 12" x 9 1/2" x 7"
- Requires 3 1/2" kitchen basket strainer
- SilentShield sound deadening pad
- Includes mounting hardware and template
- Satin Finish
- Sink Strainer included (see photo)
- Faucet not included

#### KRAUS KPF-2160 CLASSIC KITCHEN FAUCET

- 100% Stainless steel faucet body and handle constructed of solid brass
- High-quality, corrosion and rust resistant finish - finish covered under lifetime warranty
- Spout swivels 180 degrees to allow for unobstructed sink access
- High-arch goose neck spout further allows for unobstructed sink access



Sink Strainer



**SABER DROP-IN ICE CHEST**

- 304 SS Construction
- Adds an insulated storage space
- Store ice and keep beverages cool
- Drops into your countertop
- Drain plug for easy cleaning
- Frame construction adds strength to the door
- Cutout dimensions –  
23" W x 17 1/16" D x 12" H
- Product dimensions –  
24 1/16" W x 18 1/4" D x 13" H

**SUMMIT OUTDOOR REFRIGERATOR - SPR6270S**

- 34.0" H x 23.63" W x 23.5" D
- ENERGY STAR certified commercial refrigerator
- Designed and constructed for use in the outdoors
- Flexible design allows built-in or freestanding use in 24" wide spaces
- Stainless steel door offers a professional look
- Recessed LED lighting offers attractive presentation of stored products
- Factory installed lock provides security you can count on
- Easy temperature management with a digital thermostat
- Commercially listed to NSF-7 standards



# “THE DETAILS

are not the details. They make the design.”

—Charles Eames



# POSSIBILITIES ARE ENDLESS

## GALLERY

The Sierra line's modularity provides endless ways to create the desired entertaining space for your outdoor hardscape. Marry multiple units together to create your custom design.

When planning your outdoor kitchen, take advantage of what is around you. Not only do we have a versatile set of units, but choose a finish that best suits your environment. Does your space require up against the wall or a free standing island? Do you need a bar unit for a conversation area while grilling? Having a poolside kitchen is a great option for entertaining.

Because our units can be configured to your space, you can add your own counter top and/or sink of your choice. Whether it be a granite or concrete counter top, we provide the base for you to enhance and bring your creativity to life.

Let your imagination soar. Create the dream kitchen you deserve.







# MEET THE MANUFACTURER

## CARDINAL SYSTEMS, INC.

Cardinal Systems Inc. is one of the world's largest and most technologically advanced manufacturer of galvanized steel walls for in-ground swimming pools. In addition to steel walls we manufacture steel steps and benches, aluminum coping, liner track, deck drains, liner bead and other backyard living components.

Our facilities occupy over 300,000 square feet located in Pennsylvania. We have been in business for 40 years continually growing and expanding.

Our success is based on a simple, founding principle: provide superior products and outstanding service. From its inception, Cardinal has had a strong commitment to precision fabrication, coupled with an aggressive pursuit to engage the latest technology. Through three generations of family ownership and operation, we continually reinvest in our business to stay on the forefront in quality, service, design, and innovation.

### OUR BRANDS

The Cardinal Systems, Inc. brands consist of:

**Cardinal**, our steel (pool walls, steps and benches), polymer (pool walls and custom structural foam molding), and aluminum (liner track and coping).

**Quaker Plastics**, our extrusion and thermoforming products such as deck drains, thermoformed steps and liner bead.

**Z Poolform** system is a unique, reusable system that provides an attractive cantilever concrete deck. The forms come in several edge options.

**Sierra Outdoor Designs** is our newest product offering high end modular cabinetry for outdoor entertainment.

All Cardinal Systems, Inc. products are made in the USA.



For more information on Sierra Outdoor Designs products, visit our **website** at [SierraOutdoorDesigns.com](http://SierraOutdoorDesigns.com) or **email** us at: [sierra@cardinalsystemsinc.com](mailto:sierra@cardinalsystemsinc.com)



250 Route 61 South  
Schuylkill Haven, PA 17972  
[cardinalsystemsinc.com](http://cardinalsystemsinc.com)  
570.385.4733 • [info@cardinalsystemsinc.com](mailto:info@cardinalsystemsinc.com)



